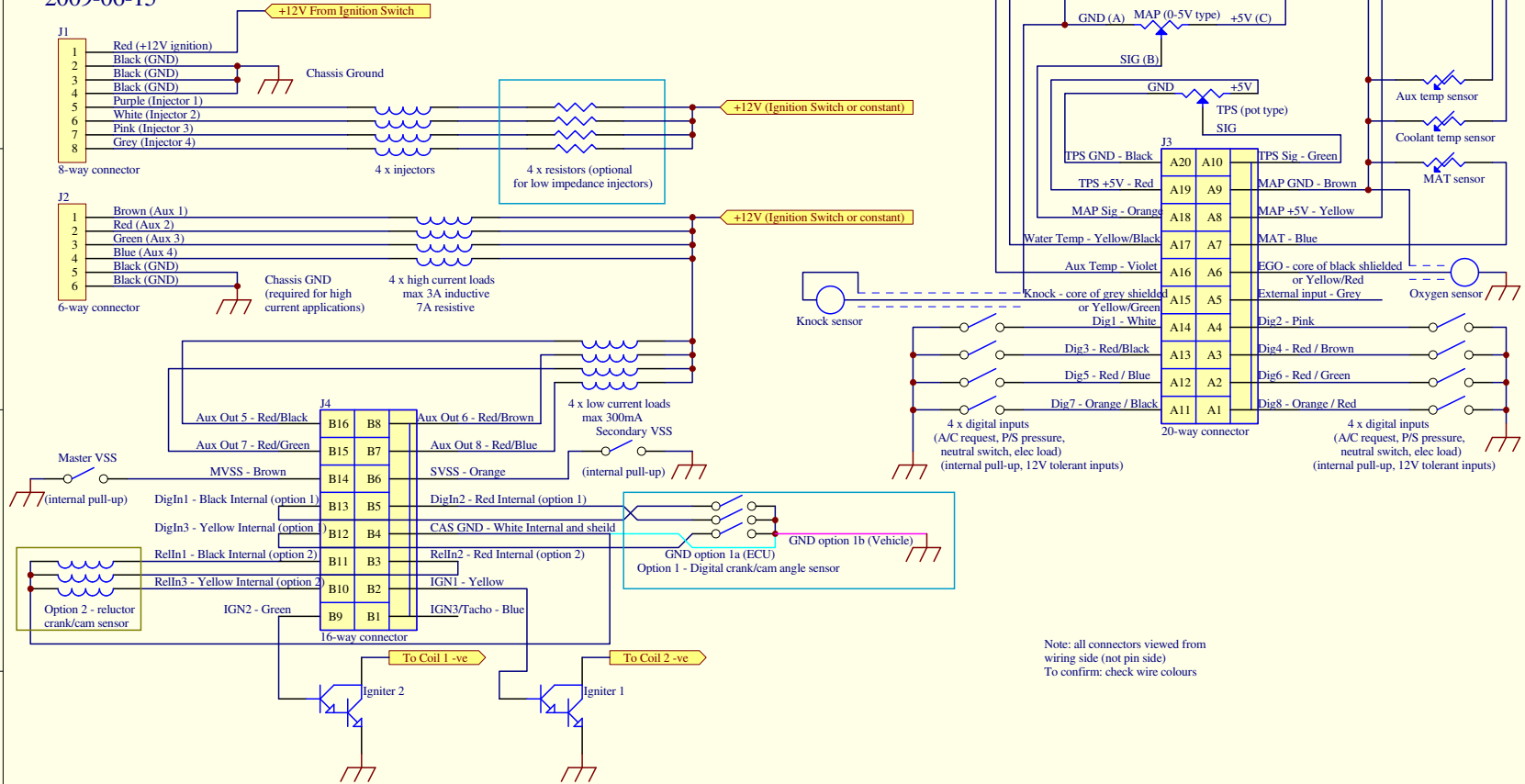


Wiring diagram for Adaptronic e420c ECU

Andy Wyatt, Adaptronic, www.adaptronic.com.au

2009-06-15



Note: all connectors viewed from wiring side (not pin side)
To confirm: check wire colours

CAUTION: DO NOT CONNECT IGNITION OUTPUTS DIRECTLY TO IGNITION COILS
The ECU has no built-in igniter. A separate igniter or transistor must be used (as shown on this diagram)
Damaging the ECU outputs via misconnection will void warranty

Title		
Size	Number	Revision
A4		
Date:	15-Jun-2009	Sheet of
File:	Z:\Products\e420c\Doco\User\Sources\Wiring\Diagram.ddb	2 of 2