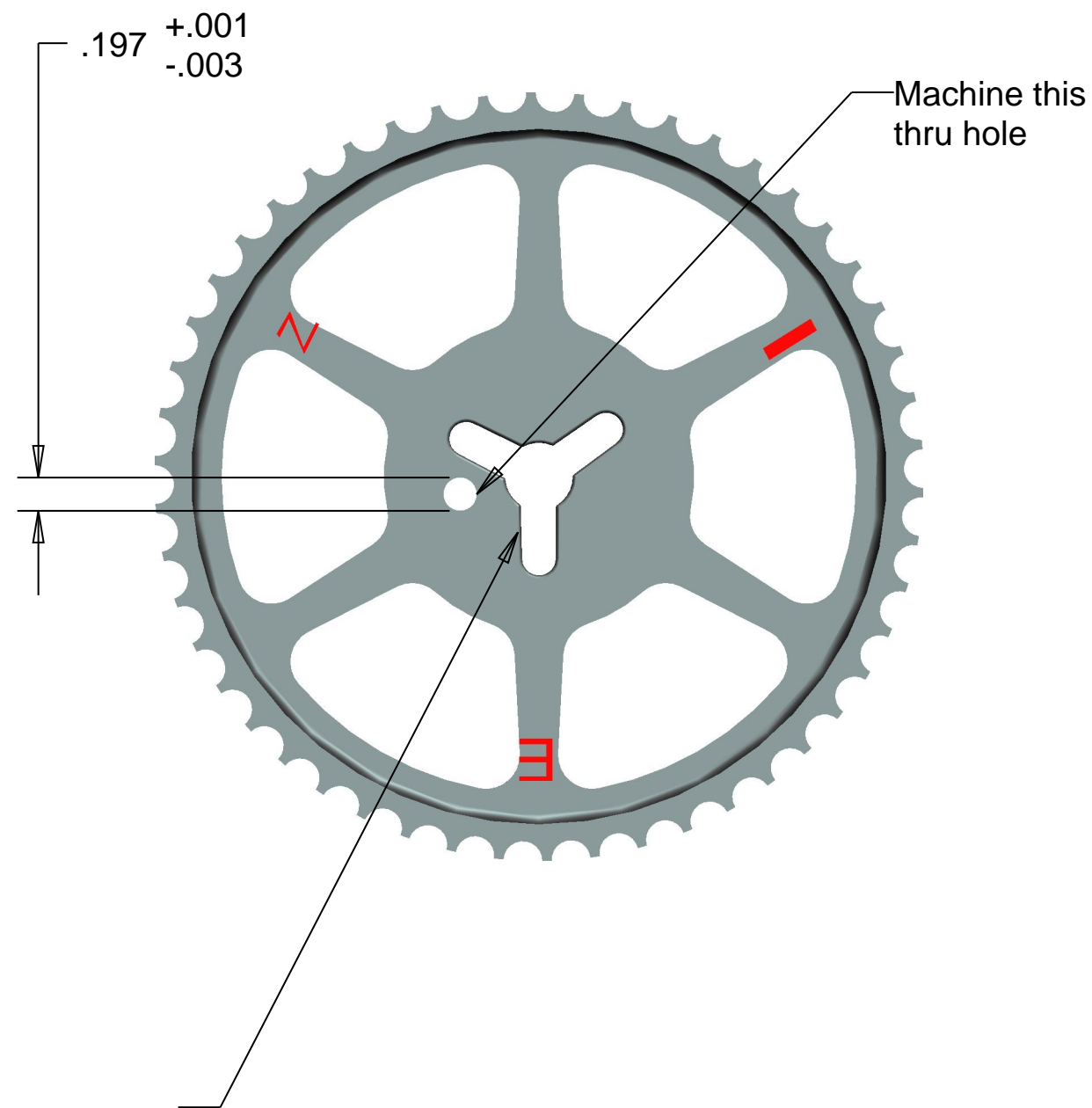


Do not use these slots as references for machining, they are not 120 degrees apart like they appear to be



MIATA EXHAUST CAM MODIFICATION SPROCKET DRAWING
DRAWN BY CHRIS CHARLTON 8 MAR 2007

NOTE: MACHINED HOLE MAY NEED
FILING TO ENSURE A TIGHT FIT
ON THE CAMSHAFT DOWEL
