

05U0UX-042

## Inspection Blower and A/C switch

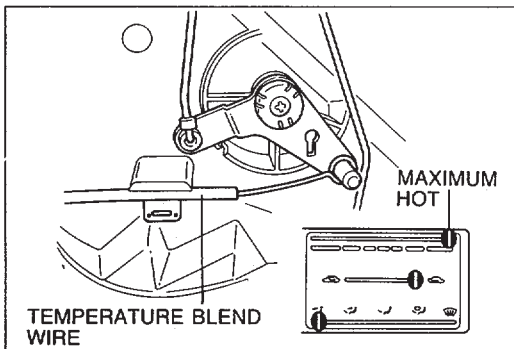
1. Check continuity between terminals of the switch.

Position	Terminal							
	a	b	c	d	e	f	g	h
Blower switch	OFF							
	First	○					○	
	Second			○				○
	Third					○		○
Fourth		○					○	
A/C switch	OFF							
	ON	○		○			○	

○—○ : Indicates continuity

○←○ : Indicates diode

2. If not as specified, replace the switch.



05U0UX-043

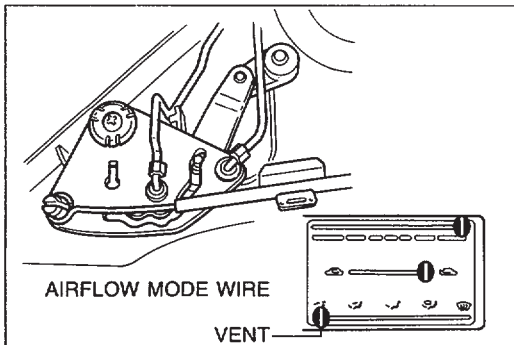
## Adjustment

### Temperature blend wire

1. Set the temperature blend lever to maximum hot position.
2. Connect and clamp the wire with the shutter lever on the heater unit all the way to the right.

### Caution

- After installation, move the temperature blend lever to be sure the wire is securely attached and that it moves the full stroke from HOT to COLD.



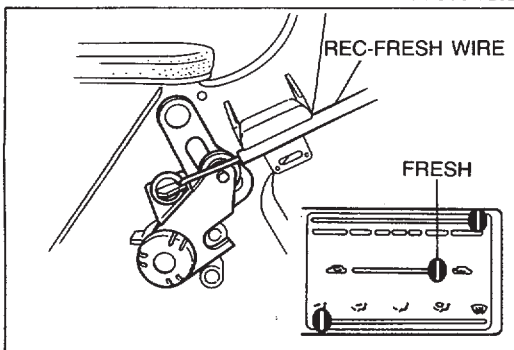
9MU0UX-232

### Airflow mode wire

1. Set the airflow mode control lever to VENT position.
2. Connect and clamp the wire with the shutter lever on the heater unit at its closest point.

### Caution

- After installation, move the airflow mode control lever to be sure the wire is securely attached and that it moves the full stroke from DEF to VENT.



05U0UX-044

### Rec-Fresh wire

1. Set the Rec-Fresh lever to FRESH position.
2. Connect and clamp the wire with the shutter lever on the blower unit at its closest point.

### Caution

- After installation, move the Rec-Fresh lever to be sure the wire is securely attached and that it moves the full stroke from REC to FRESH.