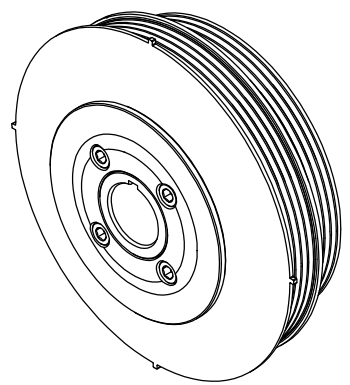
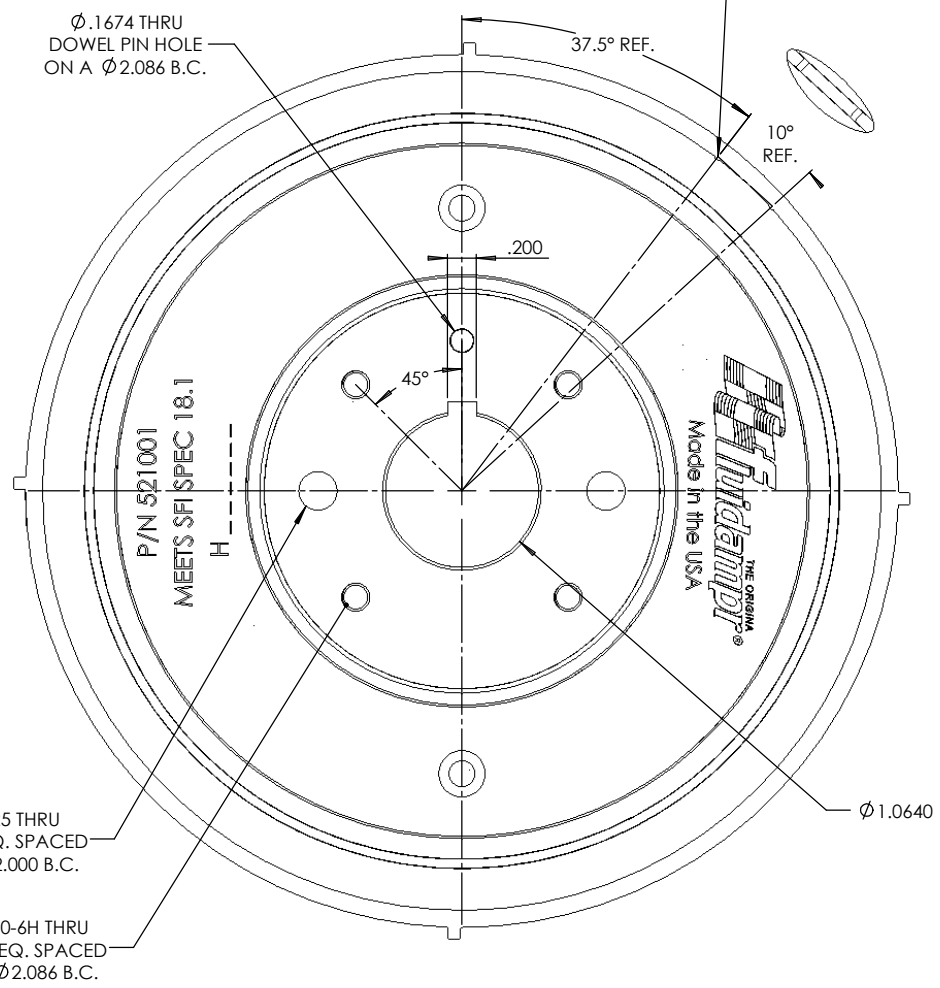
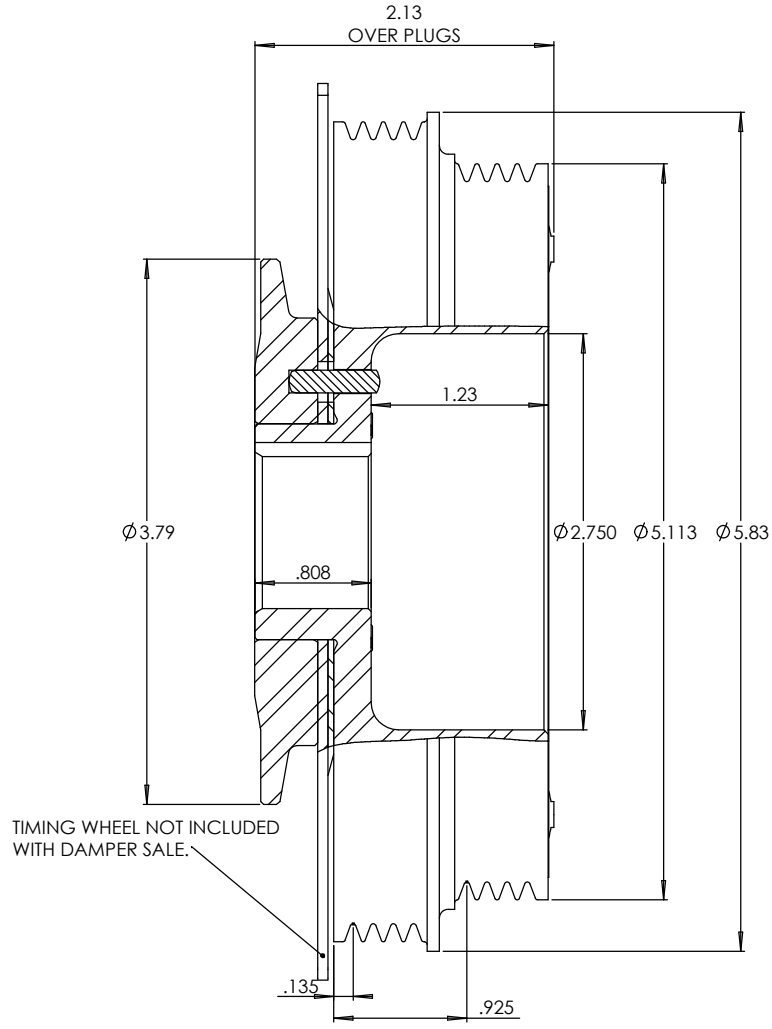


REVISIONS		
REV.	DESCRIPTION	DATE
A	ECN#13085	7/5/13
B	ECN#18053	1/28/20



NOTES:
1. TORQUE BOLTS TO 113 IN-LBS.

APPLICATION:		FINISH
MAZDA B SERIES		BLACK ZINC CHROMATE
LONG NOSE CRANKS INTERNALLY BALANCED		COMMENTS:
PROPRIETARY AND CONFIDENTIAL		ORDER PART #
THE INFORMATION CONTAINED IN THIS DRAWING IS THE SOLE PROPERTY OF VIBRATECH TVD. ANY REPRODUCTION IN PART OR AS A WHOLE WITHOUT THE WRITTEN PERMISSION OF VIBRATECH TVD IS PROHIBITED.		521001
FINAL	MAZDA B SERIES	SIZE
NEXT ASSY	USED ON	A
APPLICATION		DWG. NO.
		521001-C
		REV
		B
		WEIGHT: 7.2 lbs.
		SHEET 1 OF 1

VIBRATECH TVD		
180 ZOAR VALLEY ROAD SPRINGVILLE, NEW YORK 14141 USA		
TITLE:		
5 1/4" DIA. MAZDA B SERIES		
SIZE	DWG. NO.	REV
A	521001-C	B
WEIGHT: 7.2 lbs.		SHEET 1 OF 1