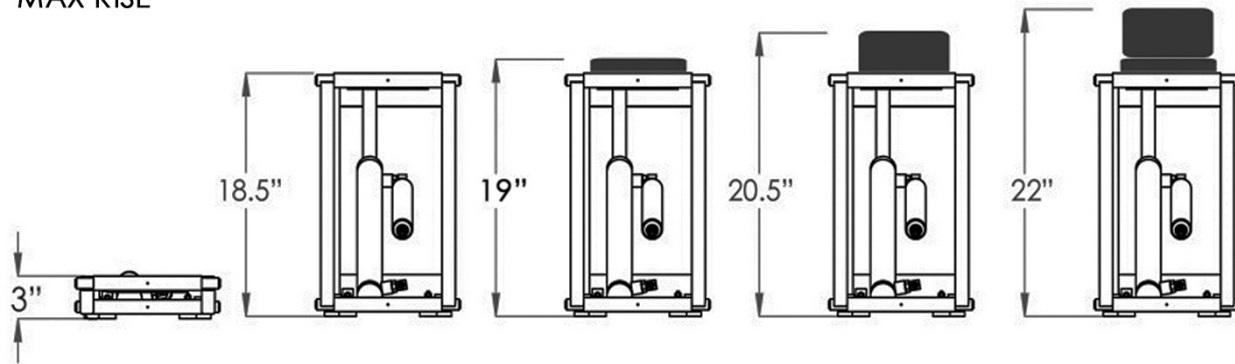


MAX RISE



LOWER SAFETY LOCK POSITION

