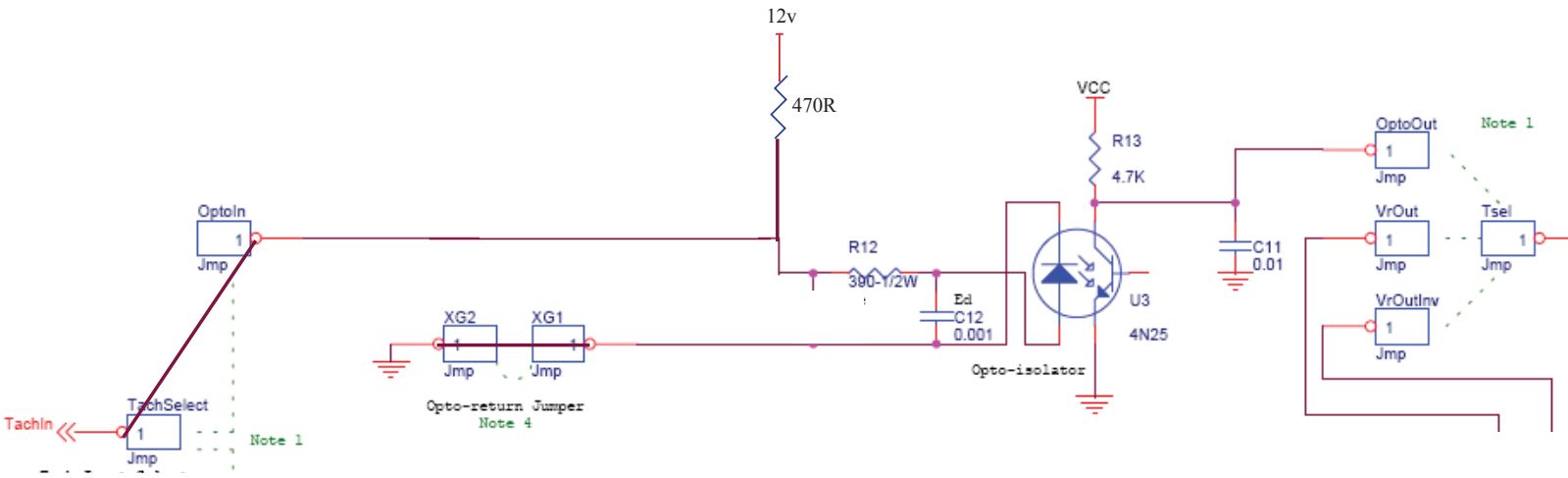


# MS-I



# MS-II and MS-III

