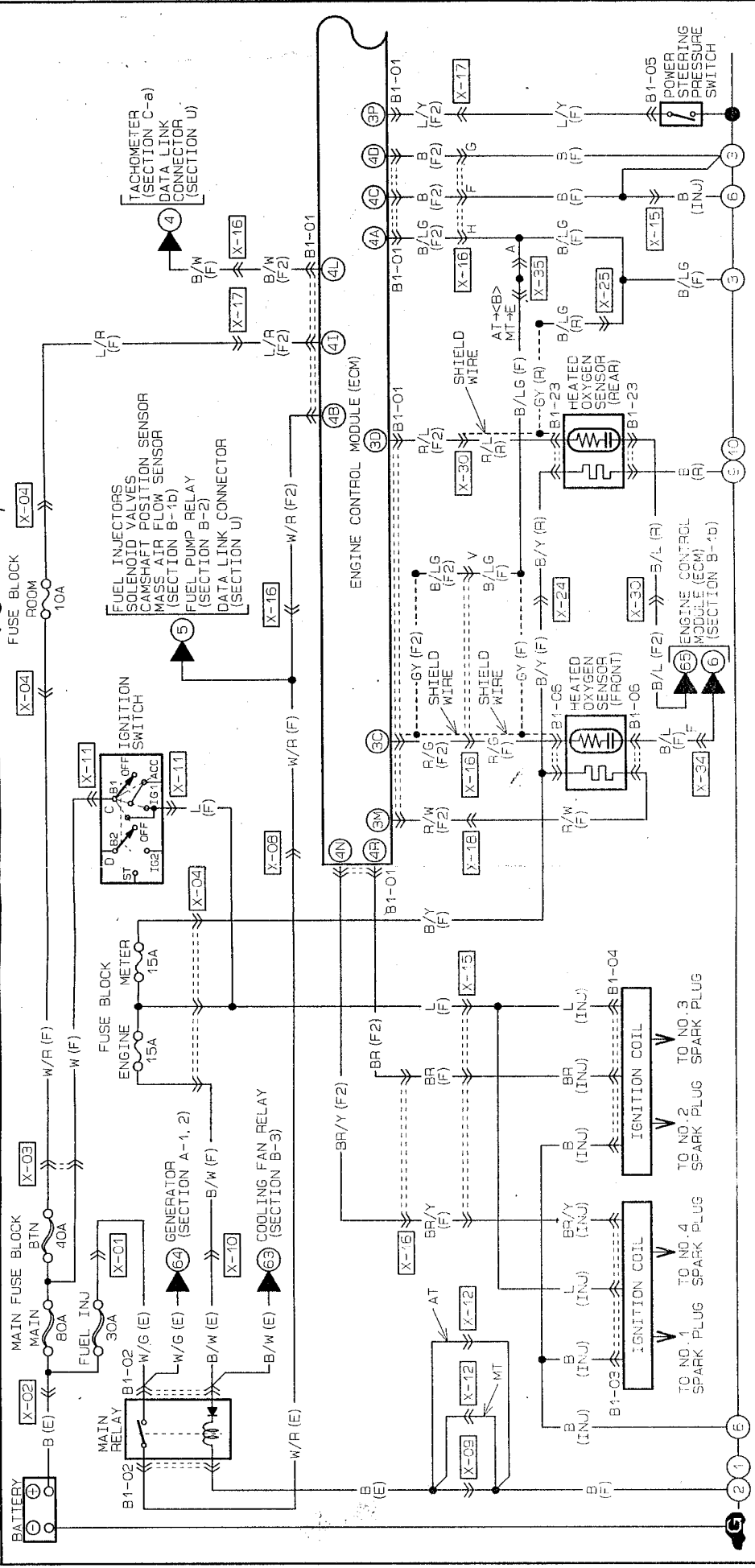


Z WIRING DIAGRAM

B-1(a) ■ IGNITION SYSTEM ■ ENGINE CONTROL SYSTEM

96-97

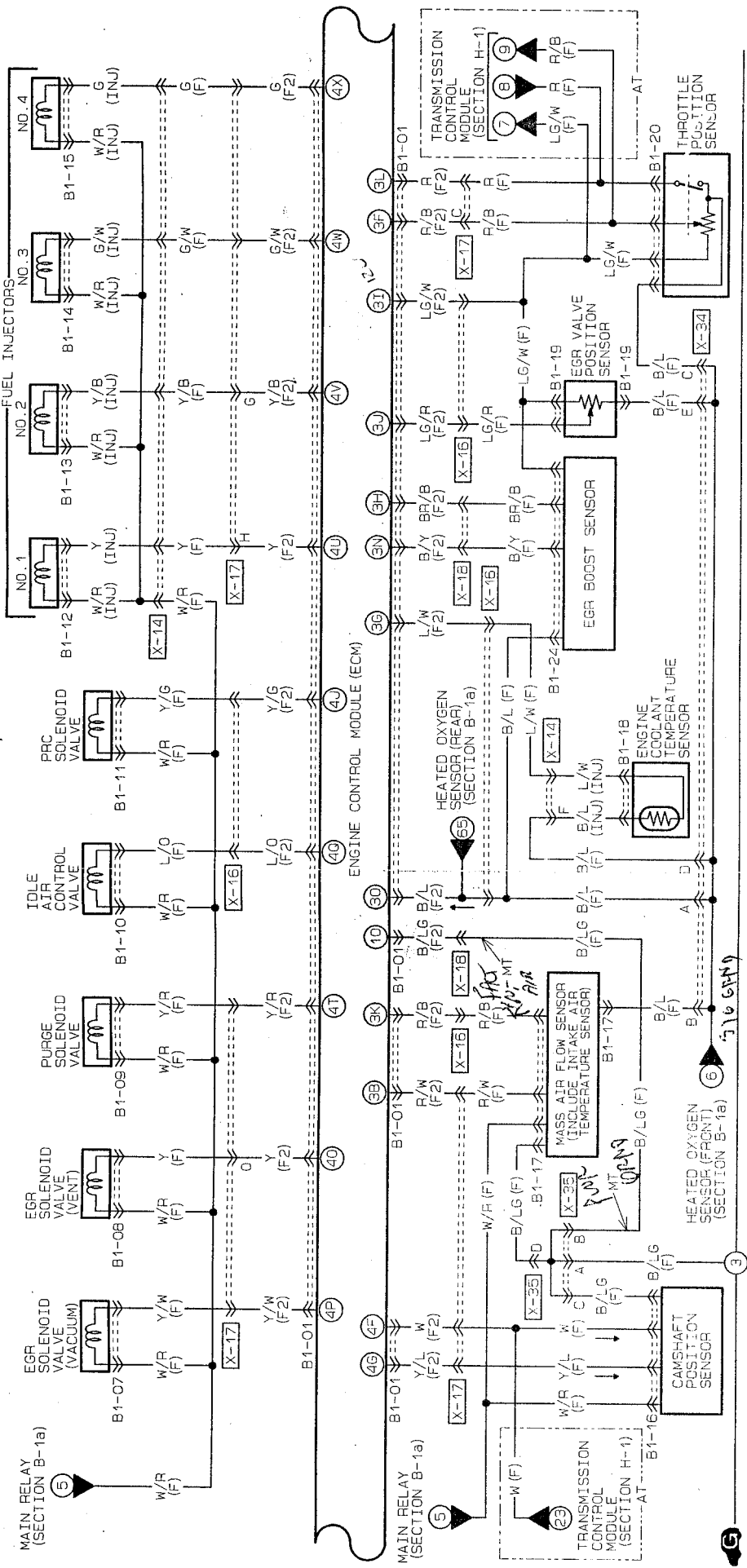


Terminal	Wire Color	Component
10	B	IGNITION COIL (INJ.)
11	B	IGNITION COIL (INJ.)
12	B	IGNITION COIL (INJ.)
13	B	IGNITION COIL (INJ.)
14	B	IGNITION COIL (INJ.)
15	B	IGNITION COIL (INJ.)
16	B	IGNITION COIL (INJ.)
17	B	IGNITION COIL (INJ.)
18	B	IGNITION COIL (INJ.)
19	B	IGNITION COIL (INJ.)
20	B	IGNITION COIL (INJ.)
21	B	IGNITION COIL (INJ.)
22	B	IGNITION COIL (INJ.)
23	B	IGNITION COIL (INJ.)
24	B	IGNITION COIL (INJ.)
25	B	IGNITION COIL (INJ.)
26	B	IGNITION COIL (INJ.)
27	B	IGNITION COIL (INJ.)
28	B	IGNITION COIL (INJ.)
29	B	IGNITION COIL (INJ.)
30	B	IGNITION COIL (INJ.)
31	B	IGNITION COIL (INJ.)
32	B	IGNITION COIL (INJ.)
33	B	IGNITION COIL (INJ.)
34	B	IGNITION COIL (INJ.)
35	B	IGNITION COIL (INJ.)
36	B	IGNITION COIL (INJ.)
37	B	IGNITION COIL (INJ.)
38	B	IGNITION COIL (INJ.)
39	B	IGNITION COIL (INJ.)
40	B	IGNITION COIL (INJ.)
41	B	IGNITION COIL (INJ.)
42	B	IGNITION COIL (INJ.)
43	B	IGNITION COIL (INJ.)
44	B	IGNITION COIL (INJ.)
45	B	IGNITION COIL (INJ.)
46	B	IGNITION COIL (INJ.)
47	B	IGNITION COIL (INJ.)
48	B	IGNITION COIL (INJ.)
49	B	IGNITION COIL (INJ.)
50	B	IGNITION COIL (INJ.)
51	B	IGNITION COIL (INJ.)
52	B	IGNITION COIL (INJ.)
53	B	IGNITION COIL (INJ.)
54	B	IGNITION COIL (INJ.)
55	B	IGNITION COIL (INJ.)
56	B	IGNITION COIL (INJ.)
57	B	IGNITION COIL (INJ.)
58	B	IGNITION COIL (INJ.)
59	B	IGNITION COIL (INJ.)
60	B	IGNITION COIL (INJ.)
61	B	IGNITION COIL (INJ.)
62	B	IGNITION COIL (INJ.)
63	B	IGNITION COIL (INJ.)
64	B	IGNITION COIL (INJ.)
65	B	IGNITION COIL (INJ.)
66	B	IGNITION COIL (INJ.)
67	B	IGNITION COIL (INJ.)
68	B	IGNITION COIL (INJ.)
69	B	IGNITION COIL (INJ.)
70	B	IGNITION COIL (INJ.)
71	B	IGNITION COIL (INJ.)
72	B	IGNITION COIL (INJ.)
73	B	IGNITION COIL (INJ.)
74	B	IGNITION COIL (INJ.)
75	B	IGNITION COIL (INJ.)
76	B	IGNITION COIL (INJ.)
77	B	IGNITION COIL (INJ.)
78	B	IGNITION COIL (INJ.)
79	B	IGNITION COIL (INJ.)
80	B	IGNITION COIL (INJ.)
81	B	IGNITION COIL (INJ.)
82	B	IGNITION COIL (INJ.)
83	B	IGNITION COIL (INJ.)
84	B	IGNITION COIL (INJ.)
85	B	IGNITION COIL (INJ.)
86	B	IGNITION COIL (INJ.)
87	B	IGNITION COIL (INJ.)
88	B	IGNITION COIL (INJ.)
89	B	IGNITION COIL (INJ.)
90	B	IGNITION COIL (INJ.)
91	B	IGNITION COIL (INJ.)
92	B	IGNITION COIL (INJ.)
93	B	IGNITION COIL (INJ.)
94	B	IGNITION COIL (INJ.)
95	B	IGNITION COIL (INJ.)
96	B	IGNITION COIL (INJ.)
97	B	IGNITION COIL (INJ.)
98	B	IGNITION COIL (INJ.)
99	B	IGNITION COIL (INJ.)
100	B	IGNITION COIL (INJ.)

WIRING DIAGRAM

ENGINE CONTROL SYSTEM

96-97

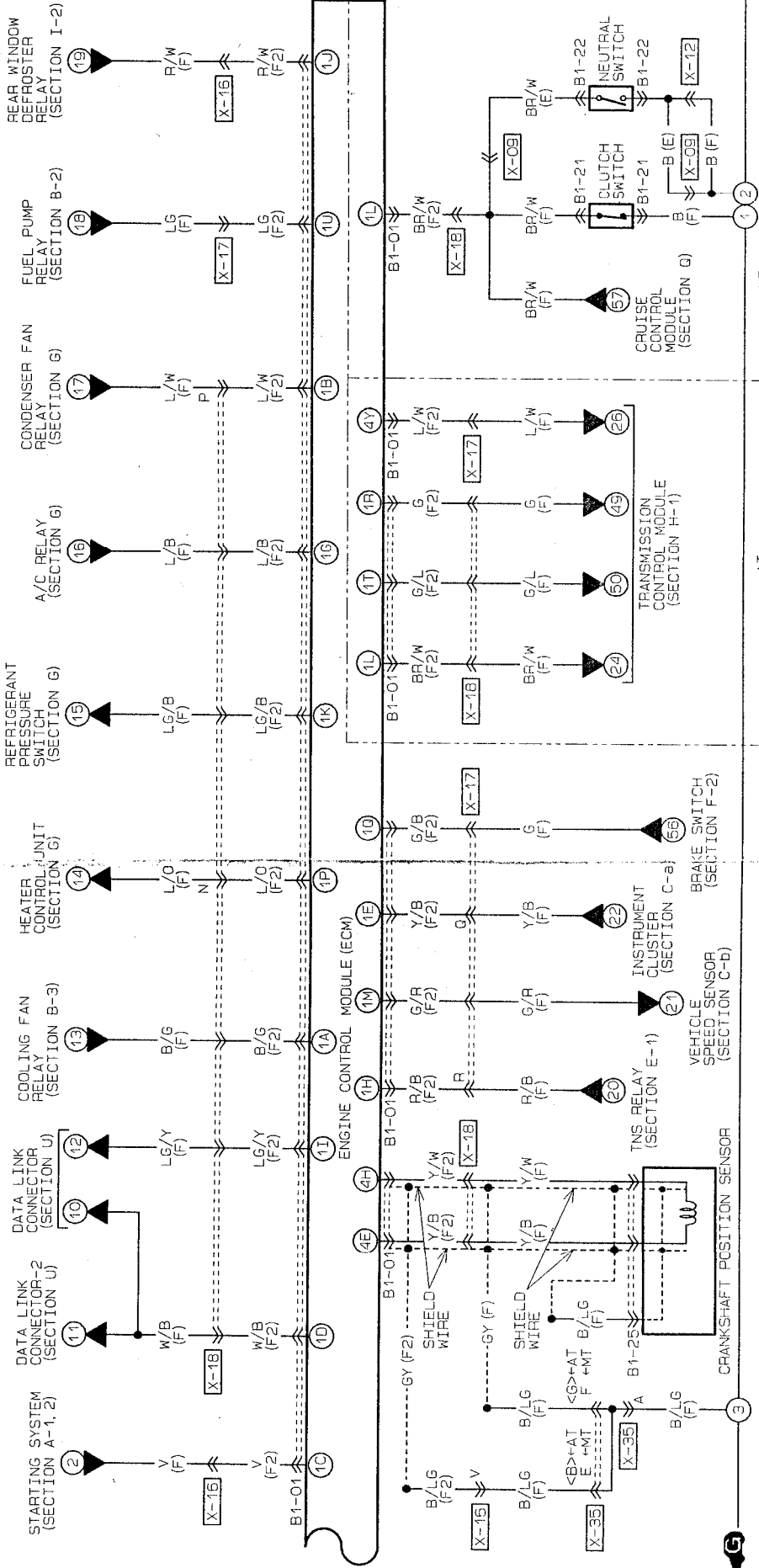


B1-01	ENGINE CONTROL MODULE (ECM)	30	3V	3C	3A	4V	4M	4U	4K	4I	4E	4C	4A
B1-02	SOLENOID VALVE (VENT)	B/L	R/W	R/B	L/W	*	L/O	Y	*	L/R	Y/L	Y/B	B
B1-03	SOLENOID VALVE (VACUUM)	L/Y	B/Y	R	L/G	R/B	R/B	R/L	R/W				
B1-04	SOLENOID VALVE (VENT)	3P	3N	3L	3U	3H	3F	3D	3B	3E	3C	3A	3G
B1-05	FUEL INJECTOR NO. 4 (INJ)	1U	1S	1Q	1P	1N	1L	1J	1H	1F	1D	1B	1A
B1-06	FUEL INJECTOR NO. 3 (INJ)	2U	2S	2Q	2P	2N	2L	2J	2H	2F	2D	2B	2A
B1-07	FUEL INJECTOR NO. 2 (INJ)	3U	3S	3Q	3P	3N	3L	3J	3H	3F	3D	3B	3A
B1-08	FUEL INJECTOR NO. 1 (INJ)	4U	4S	4Q	4P	4N	4L	4J	4H	4F	4D	4B	4A
B1-09	PRC SOLENOID VALVE	5U	5S	5Q	5P	5N	5L	5J	5H	5F	5D	5B	5A
B1-10	MASS AIR FLOW SENSOR (INCLUDE INTAKE AIR TEMPERATURE SENSOR)	6U	6S	6Q	6P	6N	6L	6J	6H	6F	6D	6B	6A
B1-11	ENGINE COOLANT TEMPERATURE SENSOR	7U	7S	7Q	7P	7N	7L	7J	7H	7F	7D	7B	7A
B1-12	EGR VALVE POSITION SENSOR	8U	8S	8Q	8P	8N	8L	8J	8H	8F	8D	8B	8A
B1-13	EGR BOOST SENSOR	9U	9S	9Q	9P	9N	9L	9J	9H	9F	9D	9B	9A
B1-14	HEATED OXYGEN SENSOR (FRONT)	10U	10S	10Q	10P	10N	10L	10J	10H	10F	10D	10B	10A
B1-15	HEATED OXYGEN SENSOR (REAR)	11U	11S	11Q	11P	11N	11L	11J	11H	11F	11D	11B	11A
B1-16	THROTTLE POSITION SENSOR	12U	12S	12Q	12P	12N	12L	12J	12H	12F	12D	12B	12A
B1-17	THROTTLE POSITION SENSOR	13U	13S	13Q	13P	13N	13L	13J	13H	13F	13D	13B	13A
B1-18	THROTTLE POSITION SENSOR	14U	14S	14Q	14P	14N	14L	14J	14H	14F	14D	14B	14A
B1-19	THROTTLE POSITION SENSOR	15U	15S	15Q	15P	15N	15L	15J	15H	15F	15D	15B	15A
B1-20	THROTTLE POSITION SENSOR	16U	16S	16Q	16P	16N	16L	16J	16H	16F	16D	16B	16A

WIRING DIAGRAM

B-1c ENGINE CONTROL SYSTEM

96-97



B1-01 ENGINE CONTROL MODULE (ECM) (F2)

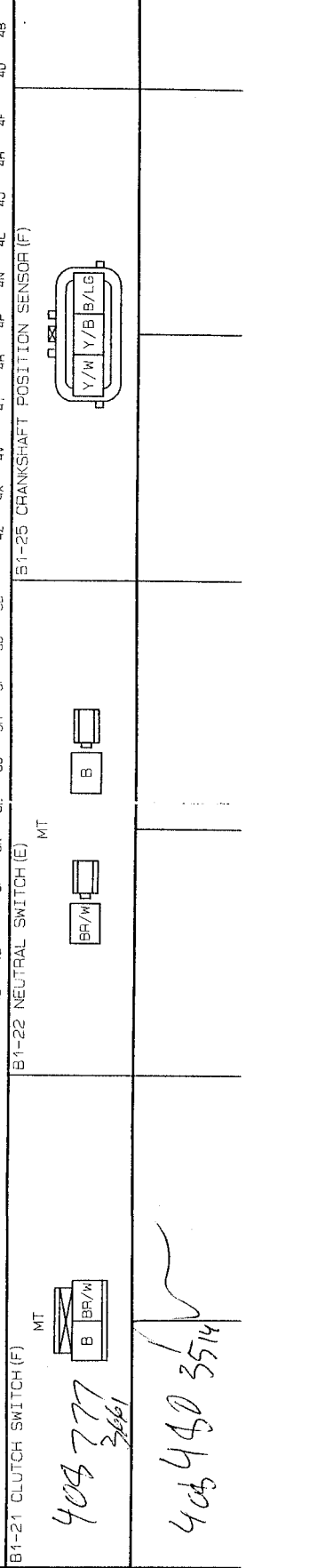
1U	1S	10	10	1M	1K	1I	1G	1E	1C	1A
LG	*	G/B	B/LG	G/R	LG/B	LG/Y	L/B	Y/B	V	B/G
1V	1T	1R	1P	1N	1L	1J	1H	1F	1D	1B
*	G/L	G	L/O	*	BR/W	R/W	R/B	*	W/B	L/W

B1-21 CLUTCH SWITCH (F)

30	3A	3B	3C	3E	3F	3G	3H	3I	3J	3K	3L	3M	3N	3O	3P	3Q	3R	3S	3T	3U	3V	3W	3X	3Y	3Z
B/L	R/W	P/B	L/G	W/L/W	*	R/G	*																		
L/Y	B/Y	F	L-G/BR/B	F/B	R/L	R/W																			

B1-25 CRANKSHAFT POSITION SENSOR (F)

4Y	4W	4U	4S	4Q	4O	4N	4M	4K	4J	4I	4G	4E	4C	4A
L/W	G/W	Y	*	L/O	Y	*	L/P	Y/L	B	B	B/LG			
*	G	Y/B	Y/R	BR	Y/W	BR/Y	B/W	Y/G	Y/W	W	B	W/R		



408 777
3661
408 480 3514