

2004 SYSTEM WIRING DIAGRAMS

Mazda - MX-5 Miata

AIR CONDITIONING

MAZDA SPEED.COM

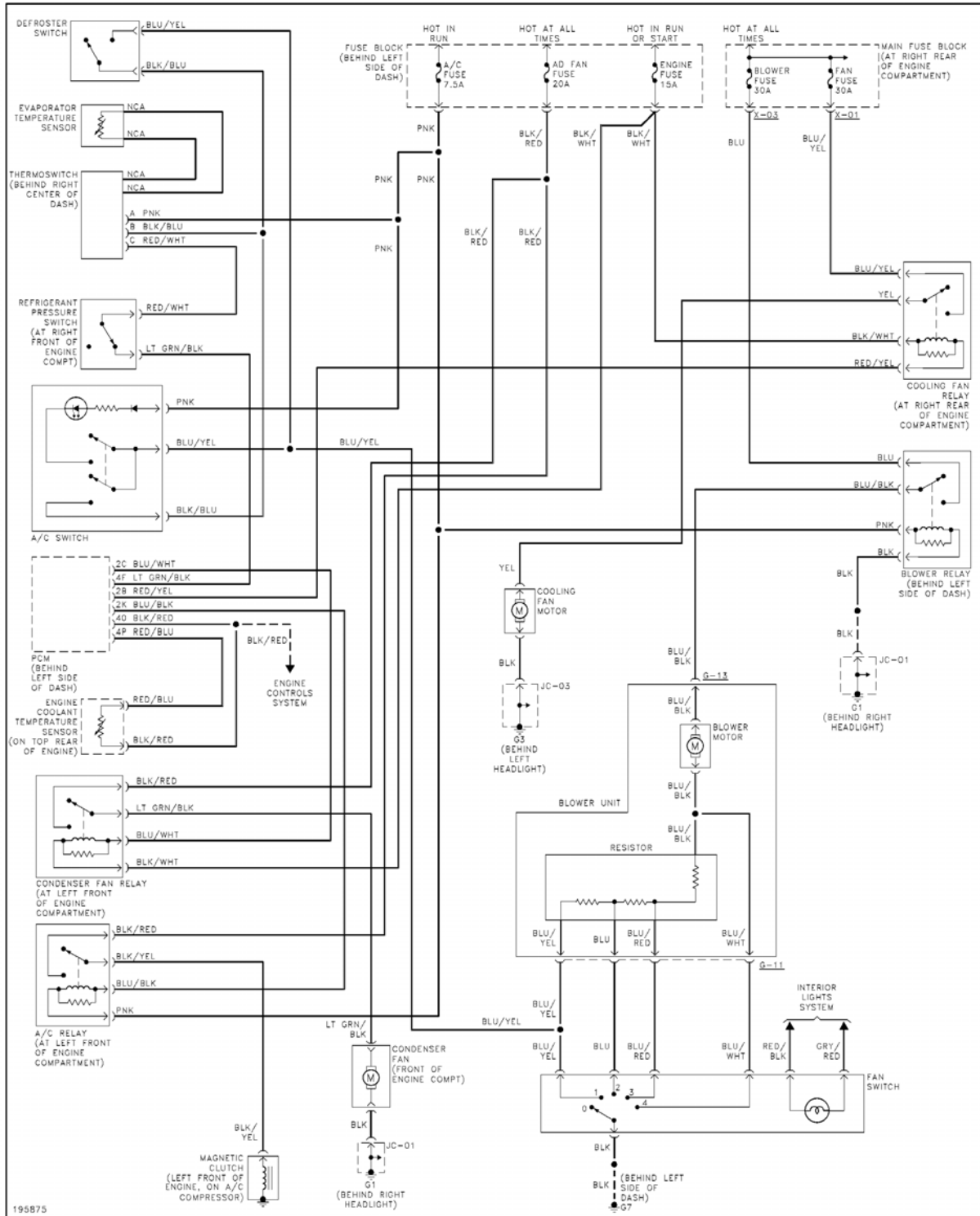


Fig. 1: Manual A/C Circuit, Early Production



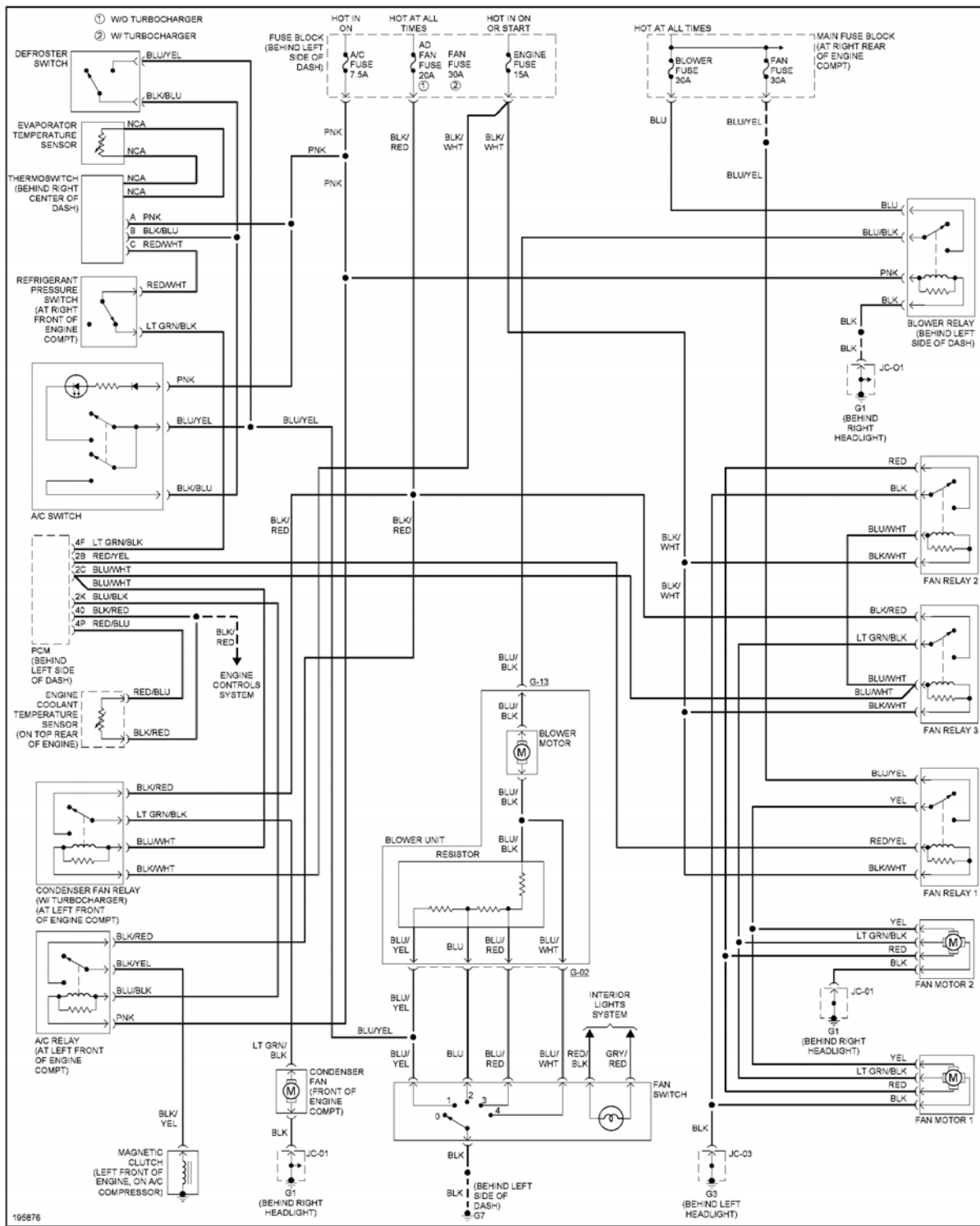


Fig. 2: Manual A/C Circuit, Late Production

ANTI-LOCK BRAKES

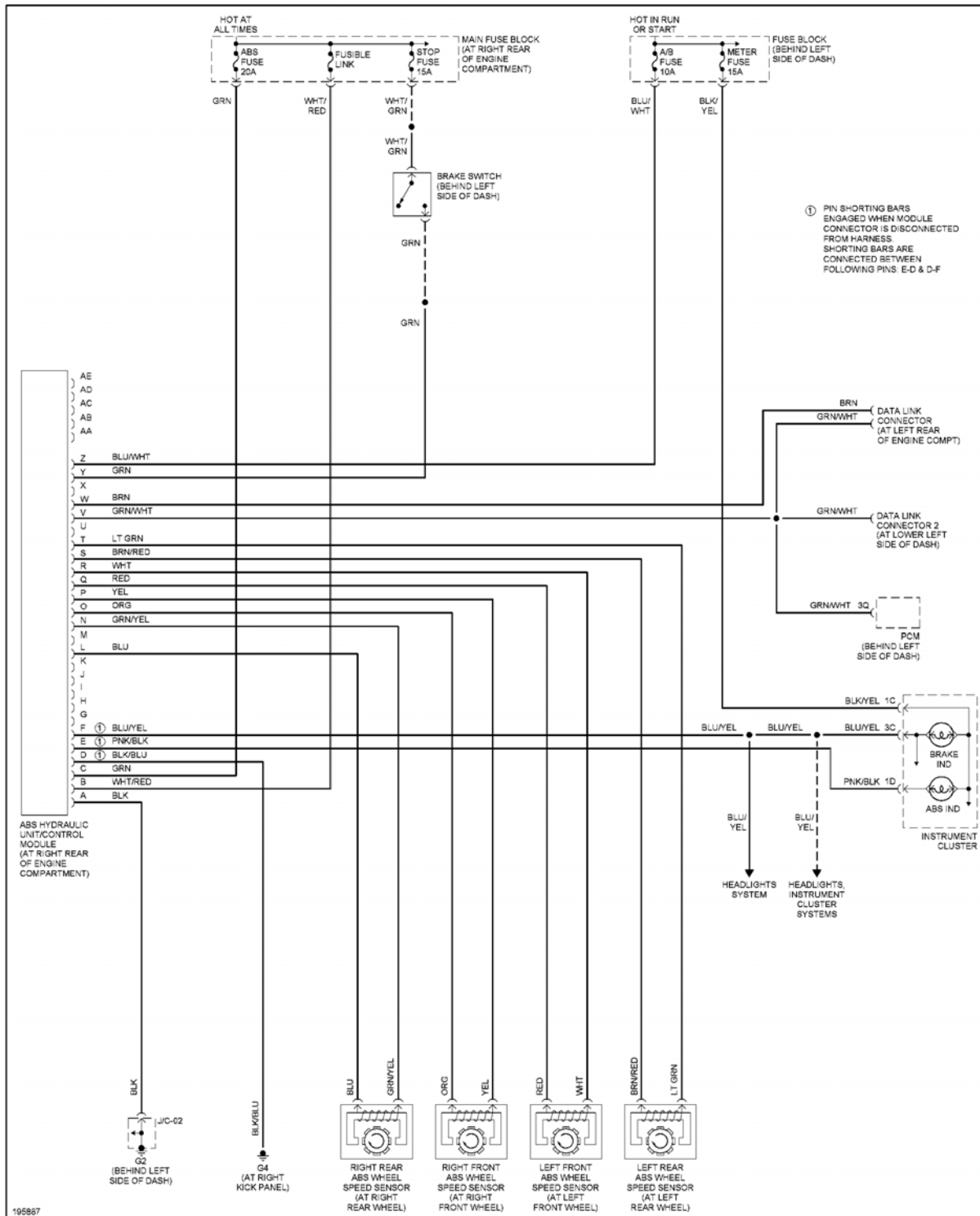


Fig. 3: Anti-lock Brakes Circuit

ANTI-THEFT

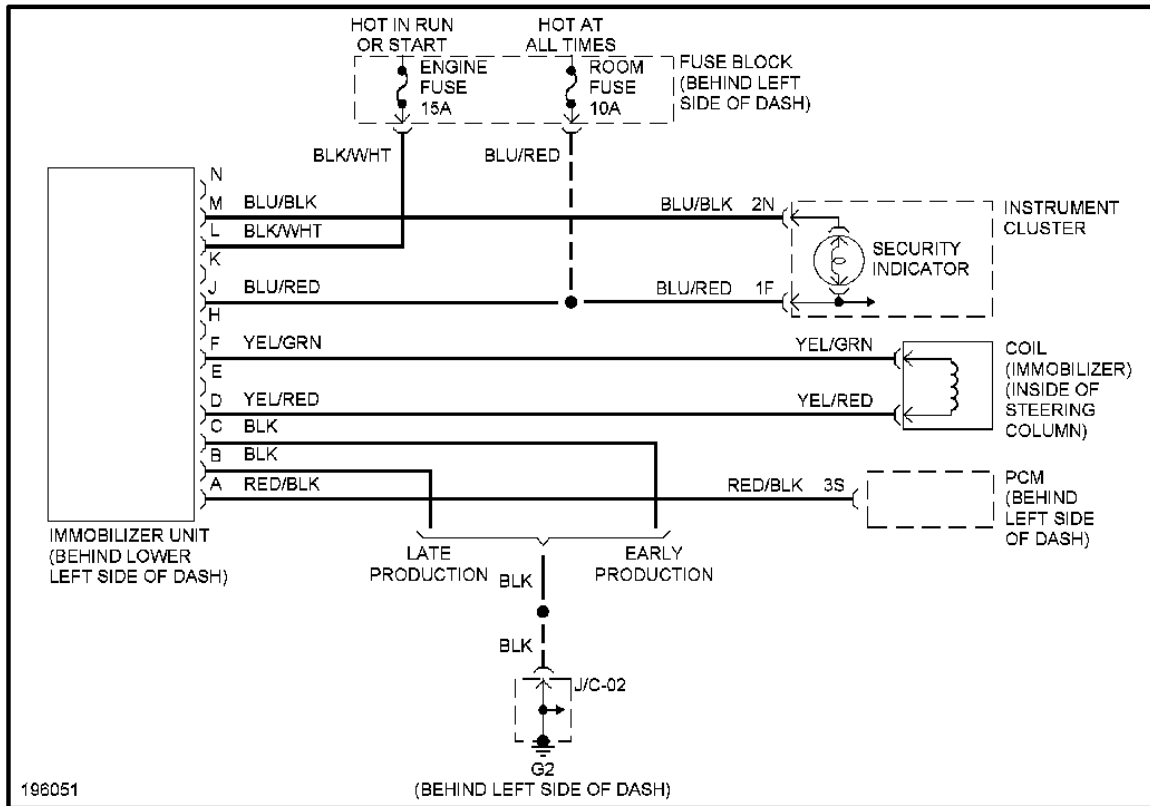


Fig. 4: Immobilizer Circuit

COMPUTER DATA LINES

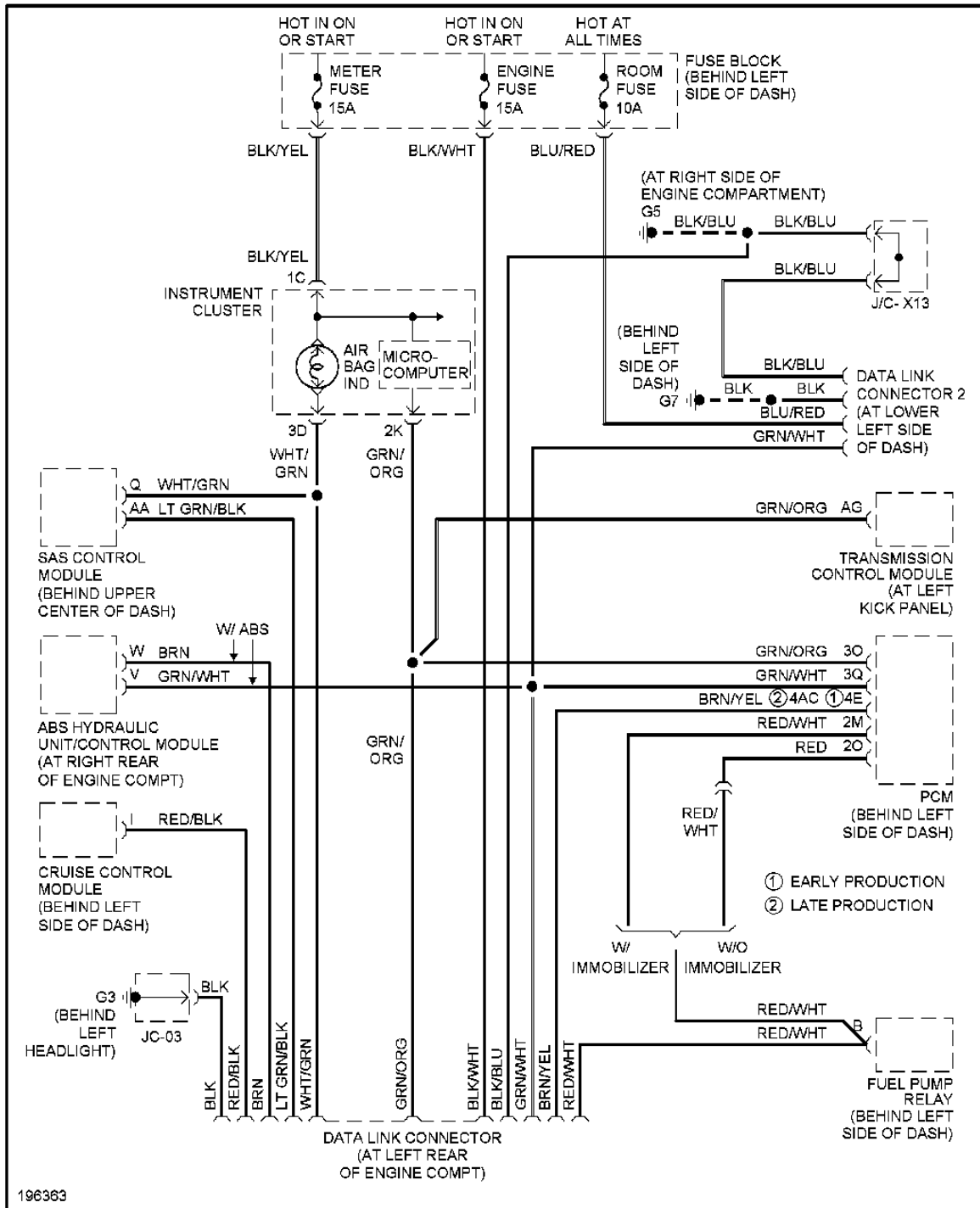


Fig. 5: Computer Data Lines Circuit

COOLING FAN

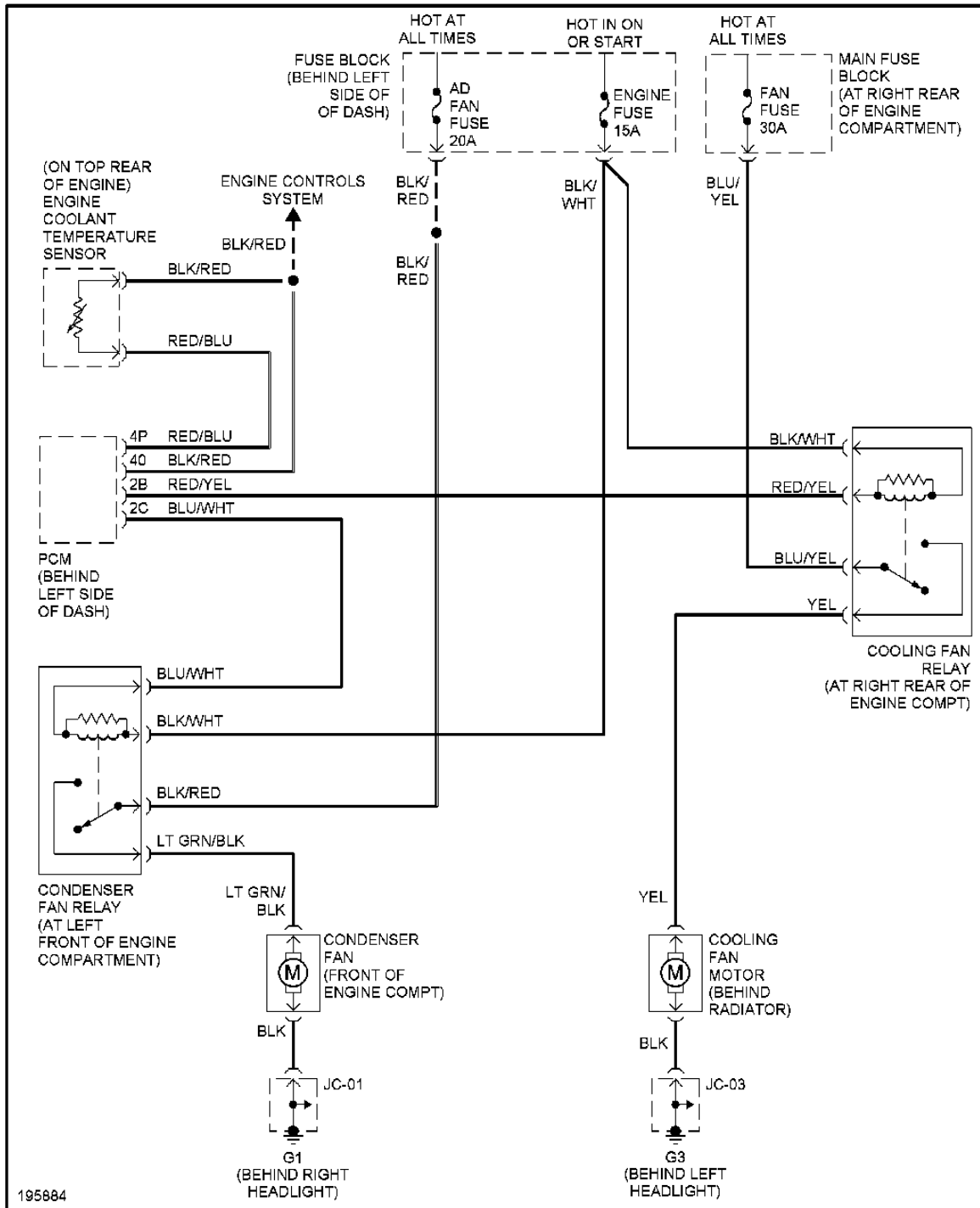


Fig. 6: Cooling Fan Circuit, Early Production

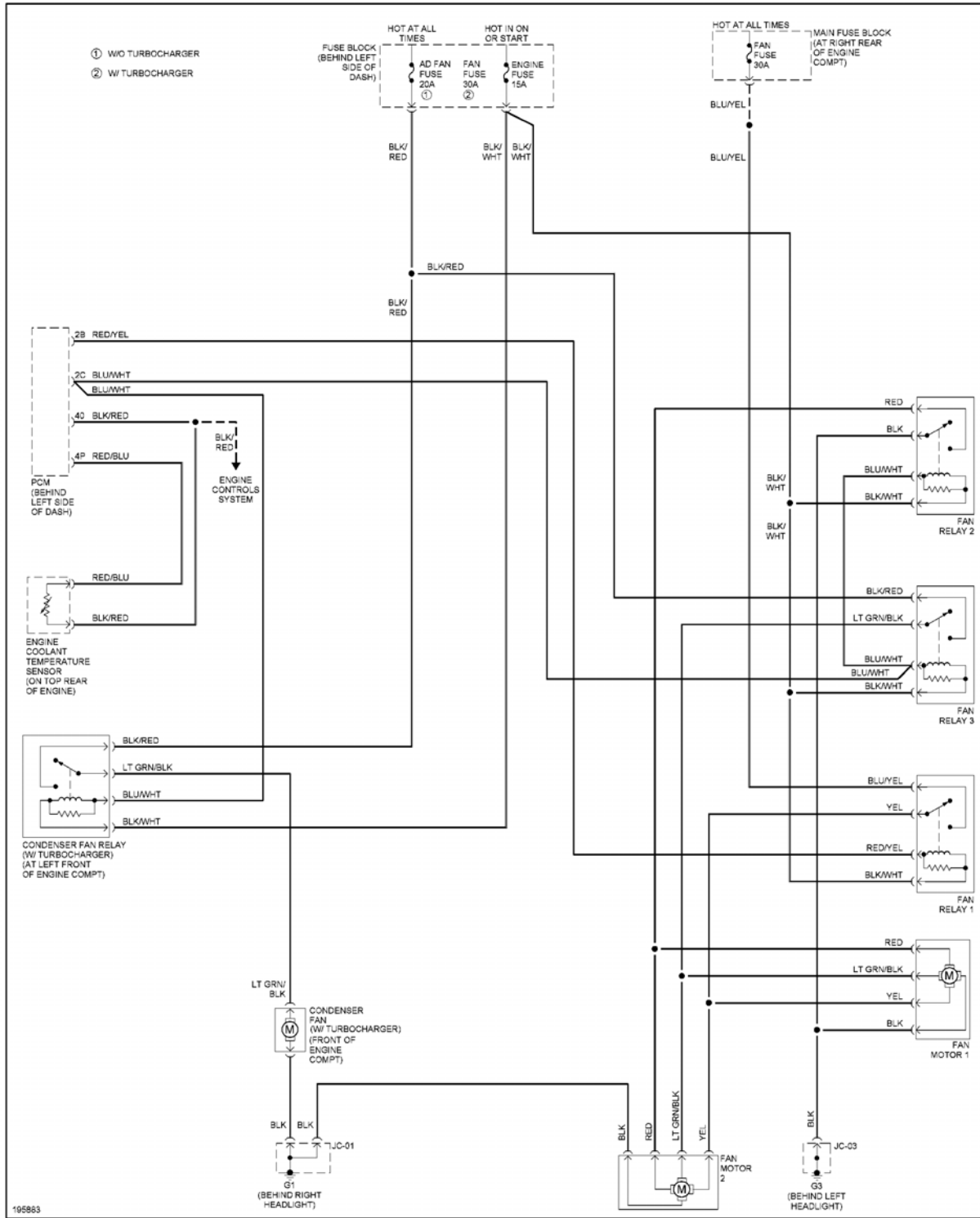


Fig. 7: Cooling Fan Circuit, Late Production

CRUISE CONTROL

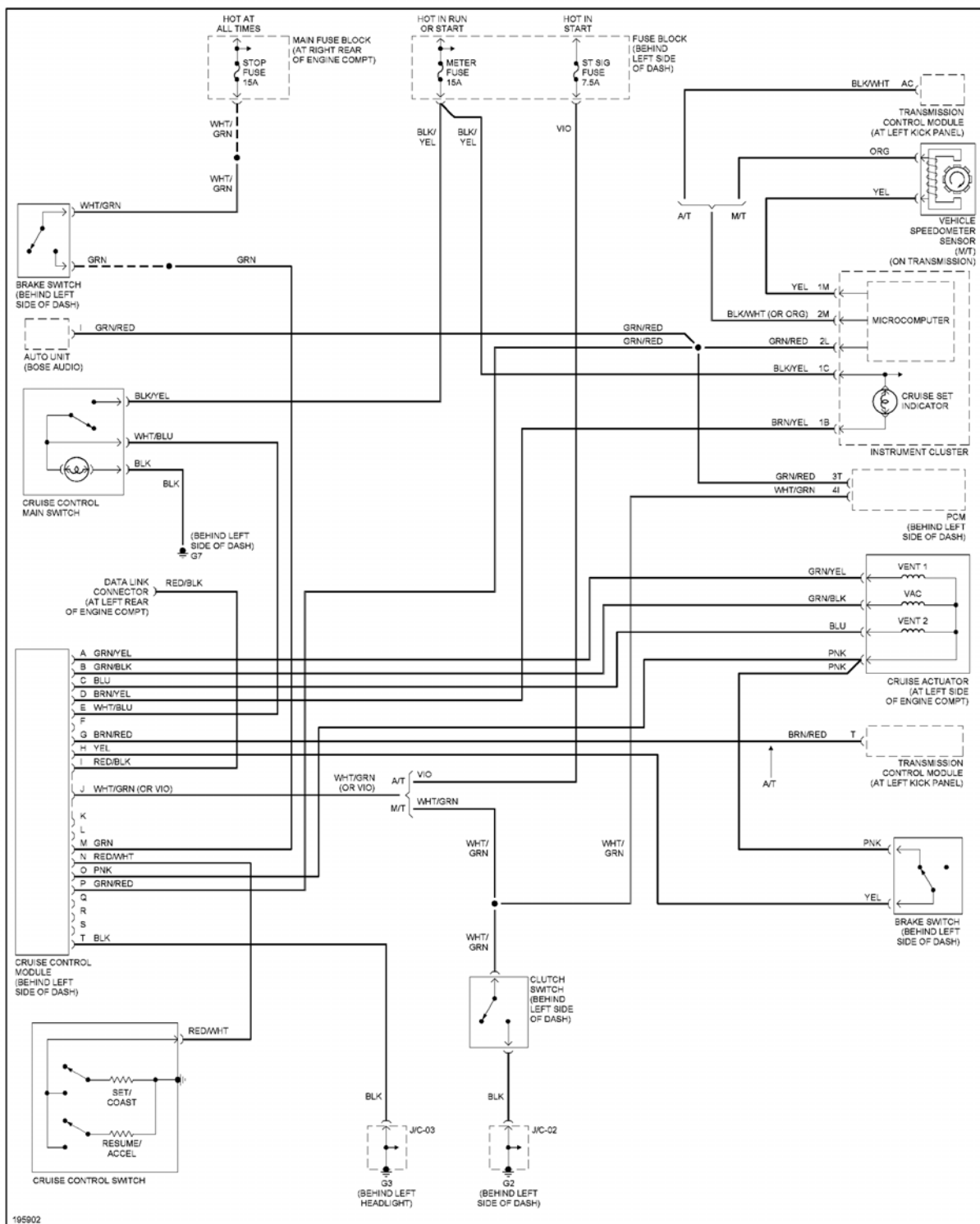


Fig. 8: Cruise Control Circuit

MAZDA SPEED.COM

<http://mazda-speed.com>

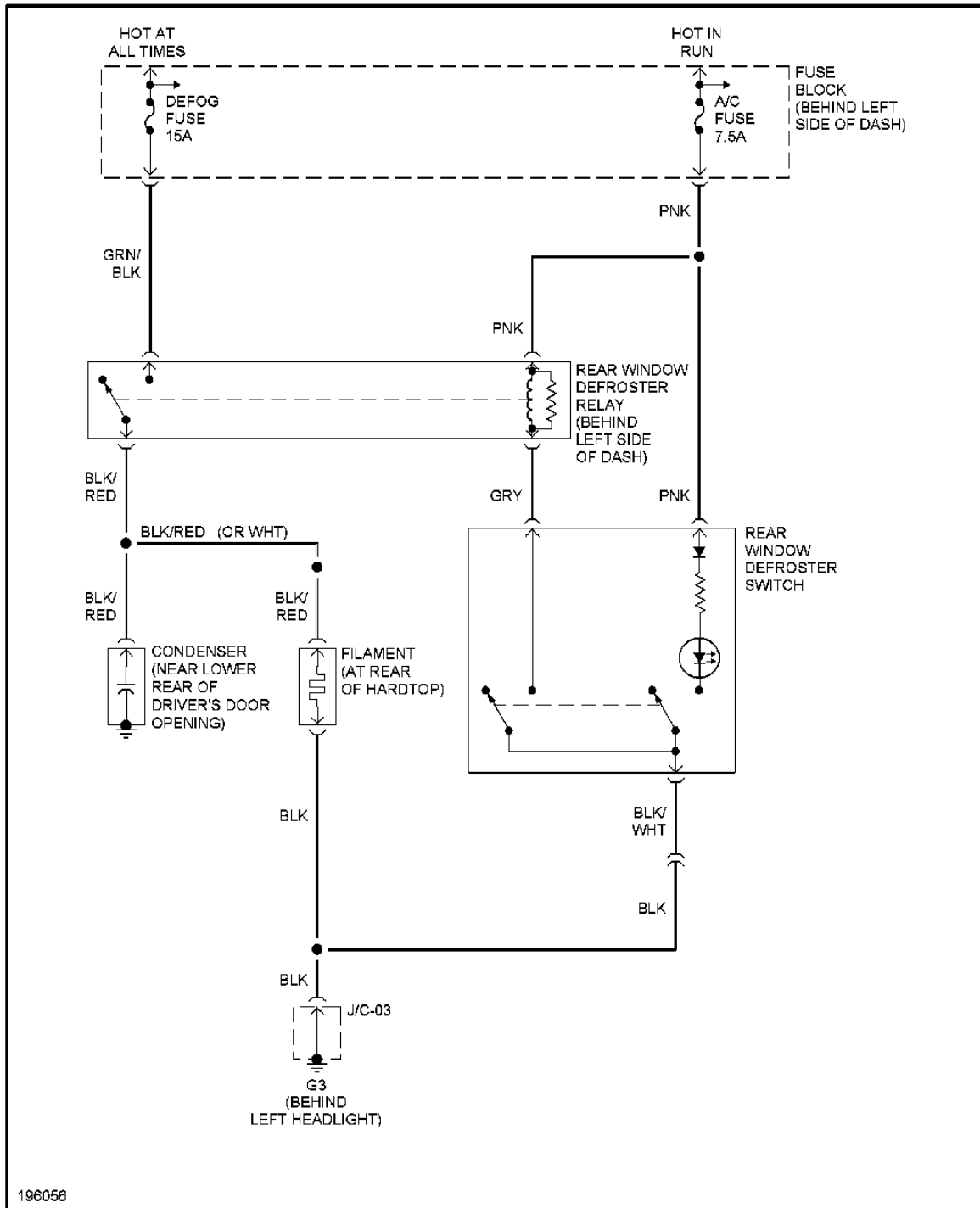


Fig. 9: Defoggers Circuit

ENGINE PERFORMANCE

<http://mazda-speed.com>

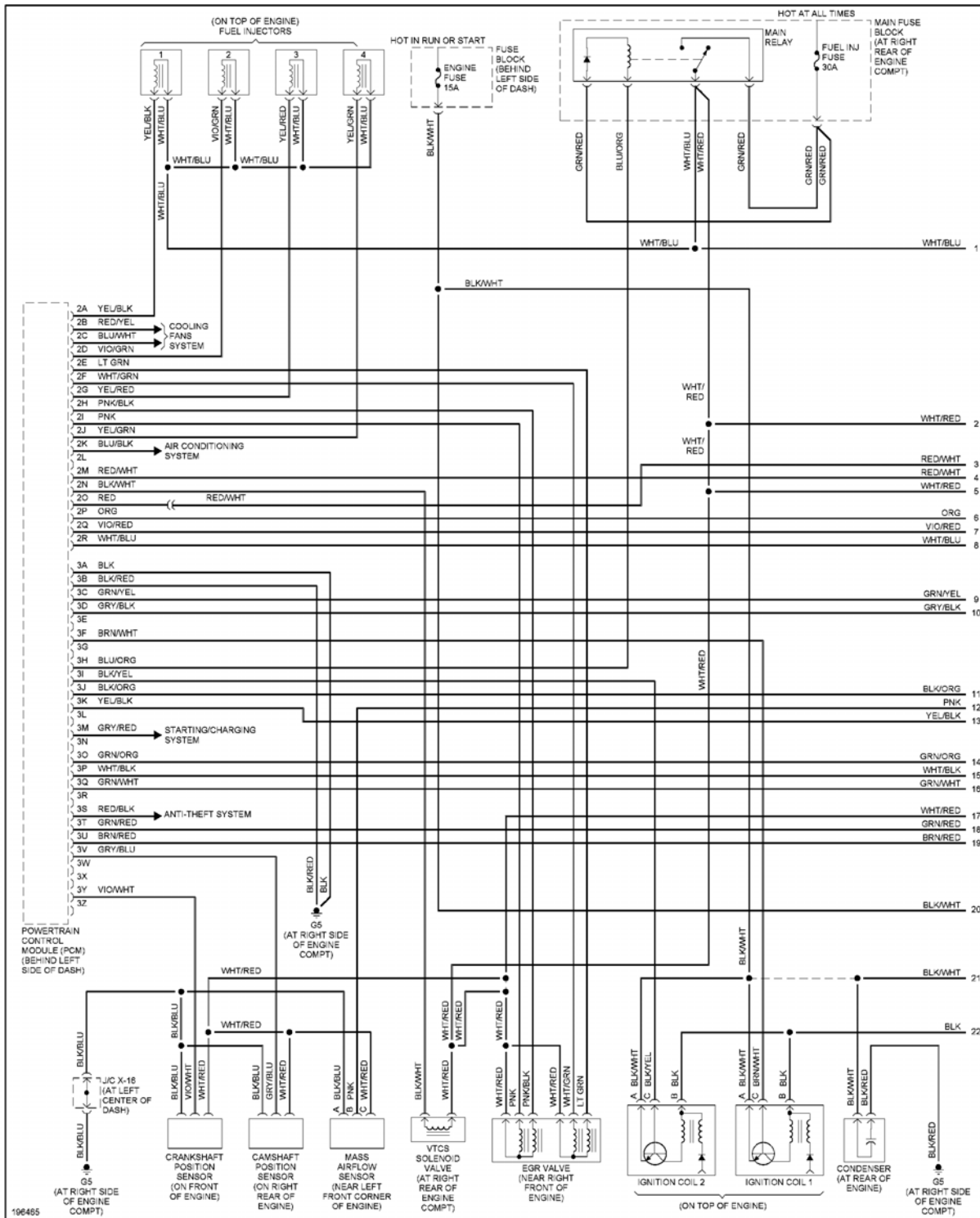


Fig. 10: Engine Performance Circuit (1 of 3)

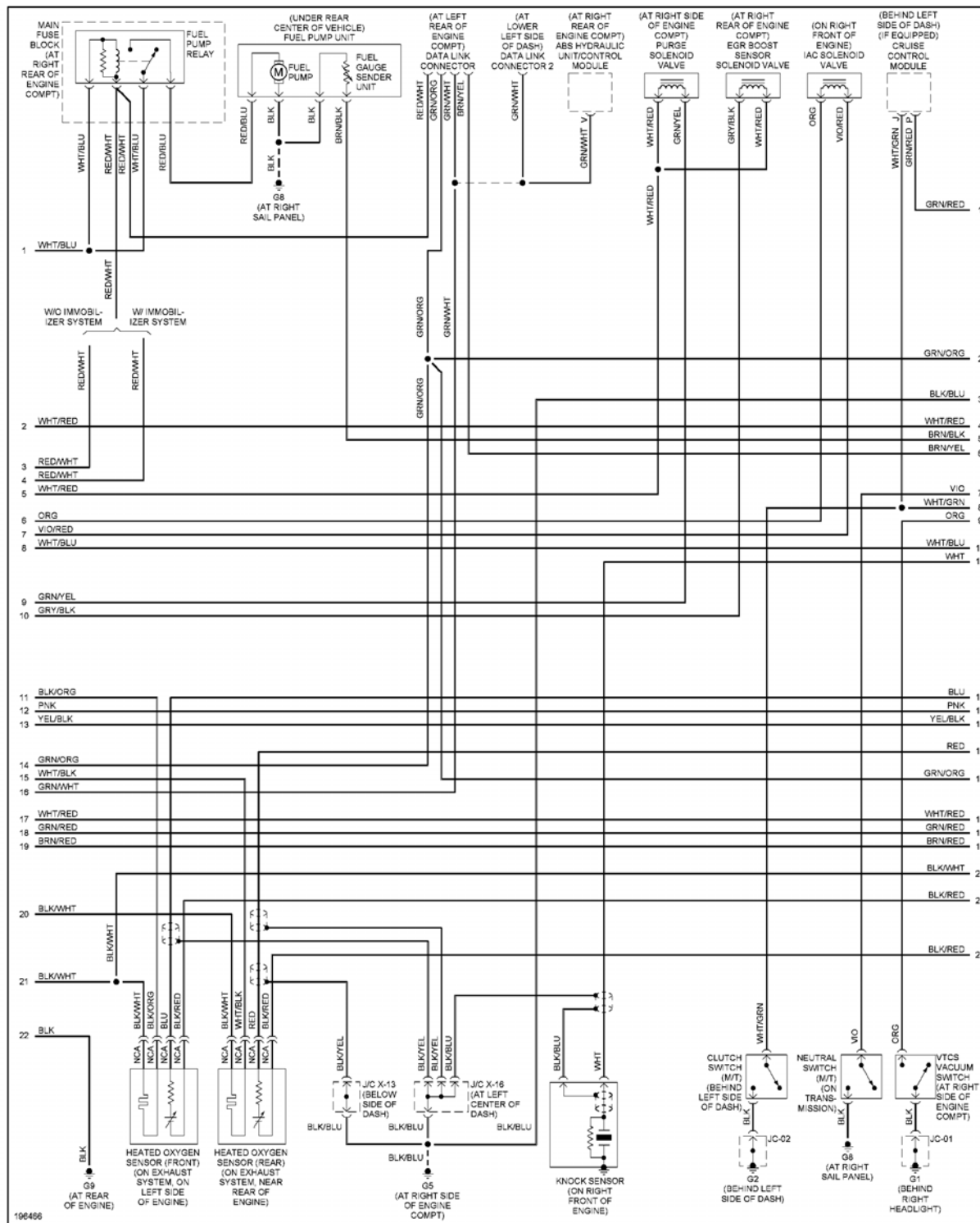


Fig. 11: Engine Performance Circuit (2 of 3)



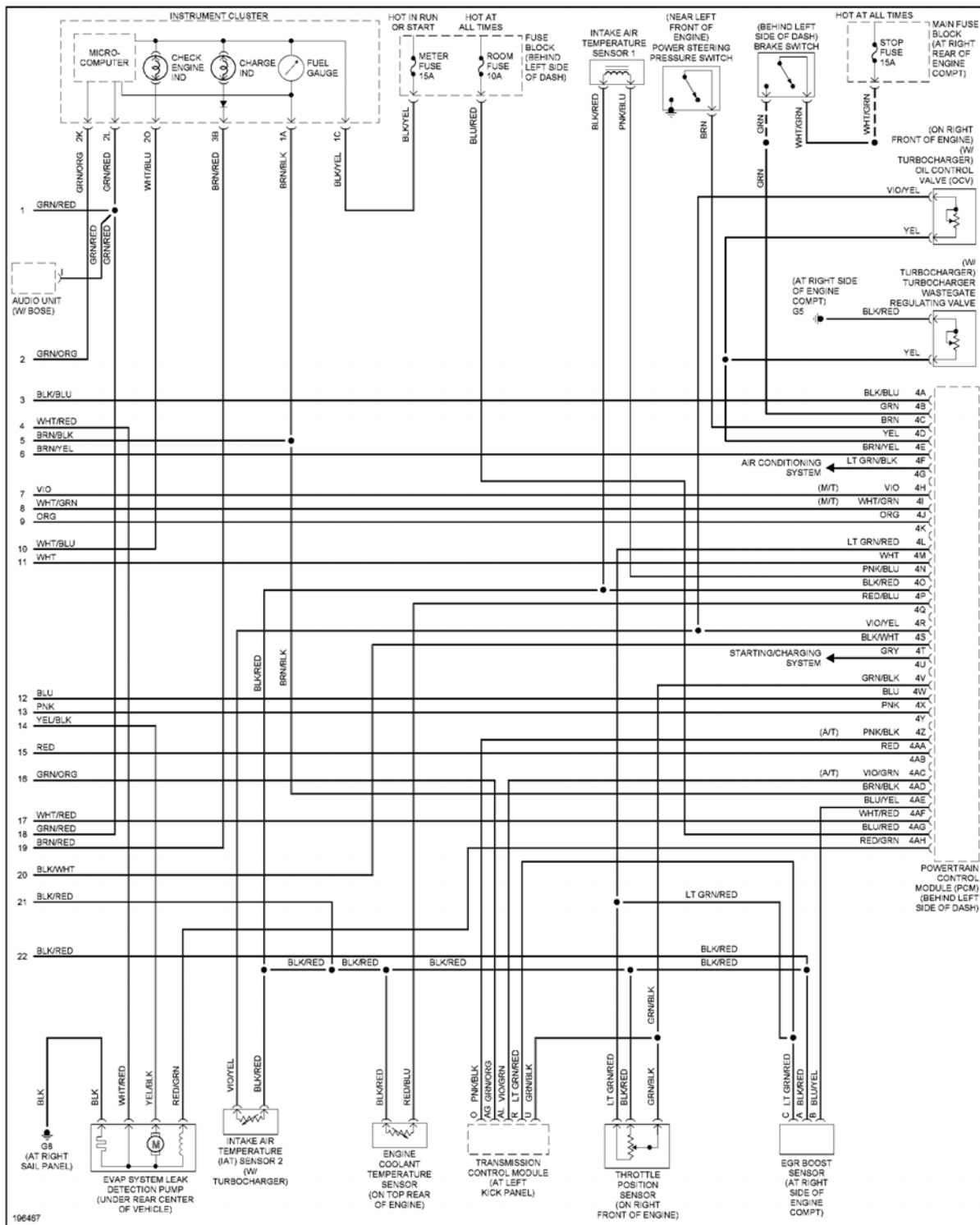


Fig. 12: Engine Performance Circuit (3 of 3)

EXTERIOR LIGHTS

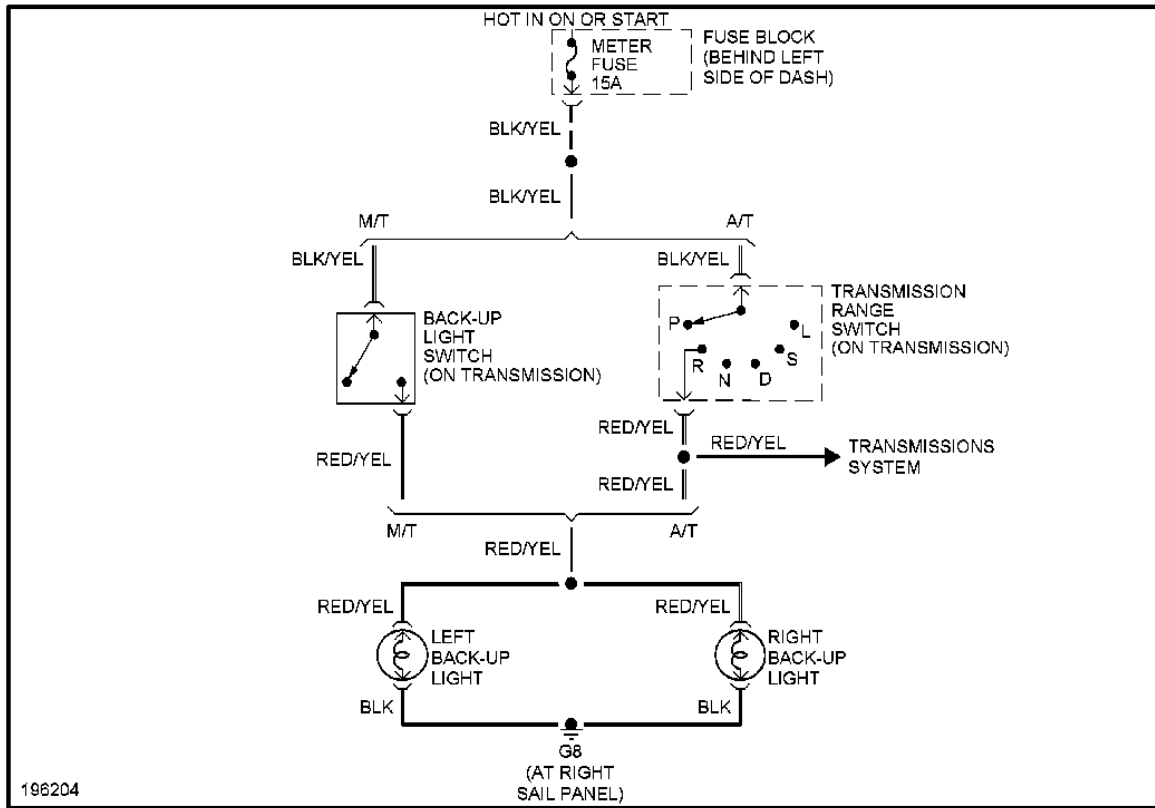


Fig. 13: Back-up Lamps Circuit



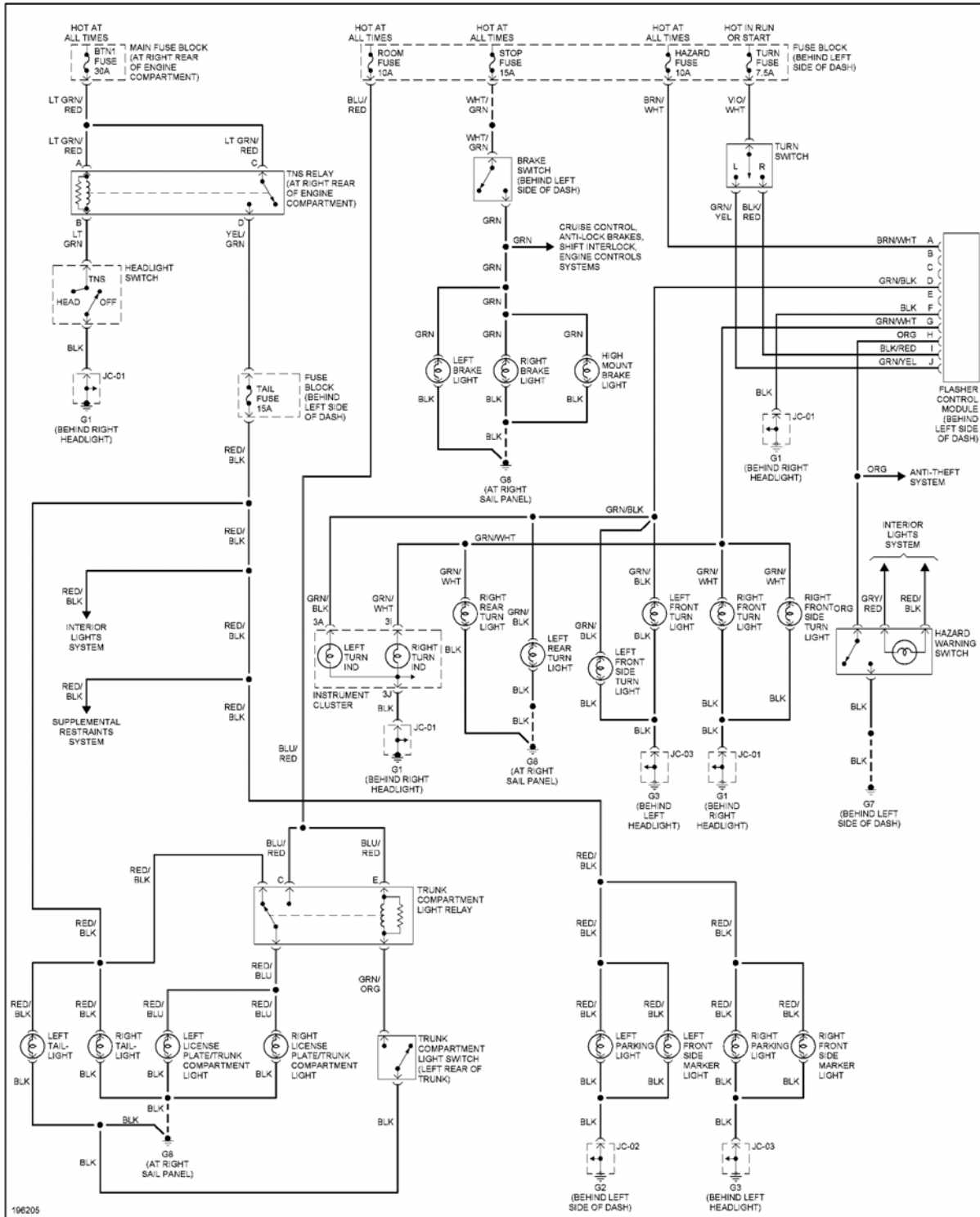


Fig. 14: Exterior Lamps Circuit

GROUND DISTRIBUTION

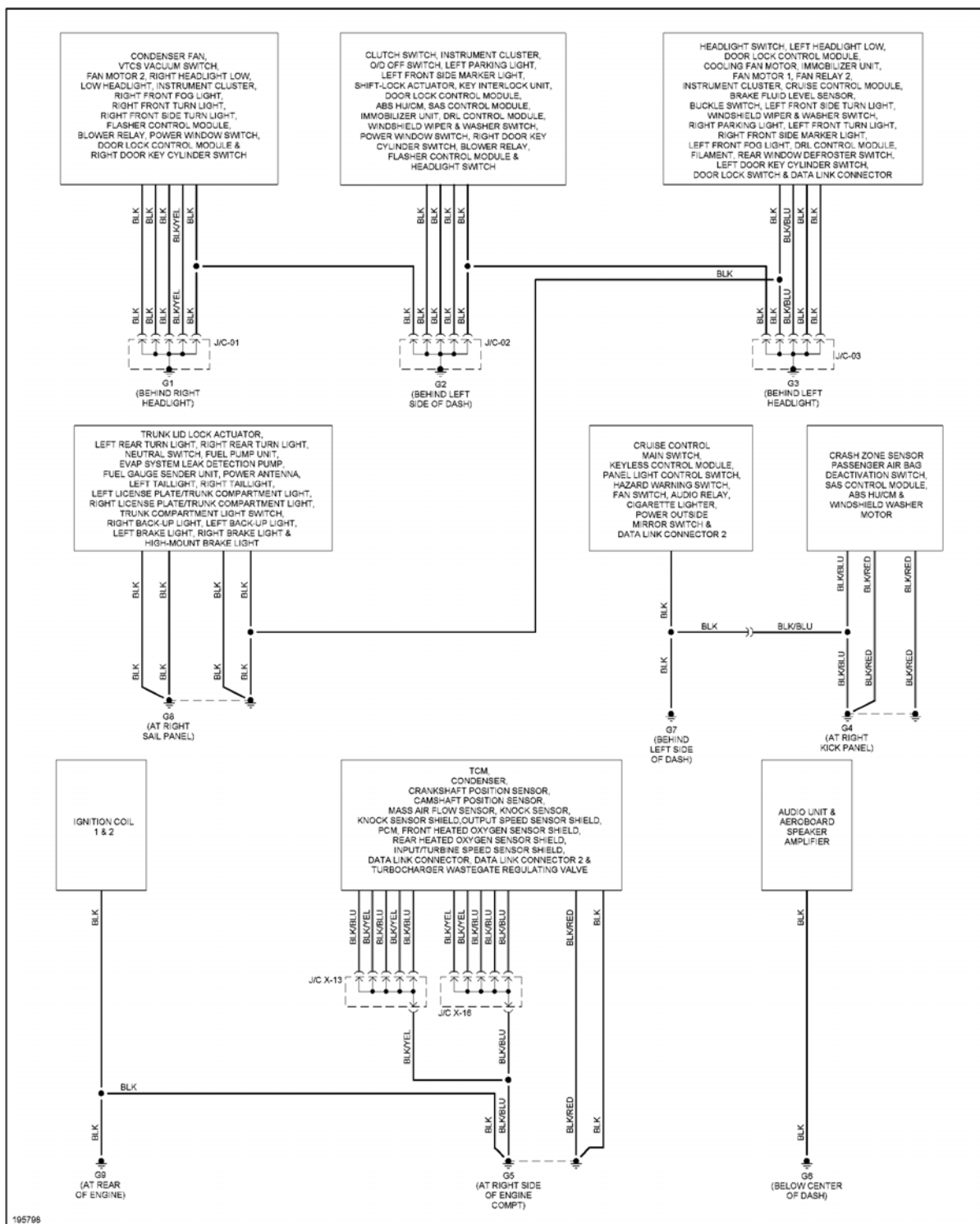


Fig. 15: Ground Distribution Circuit

HEADLIGHTS

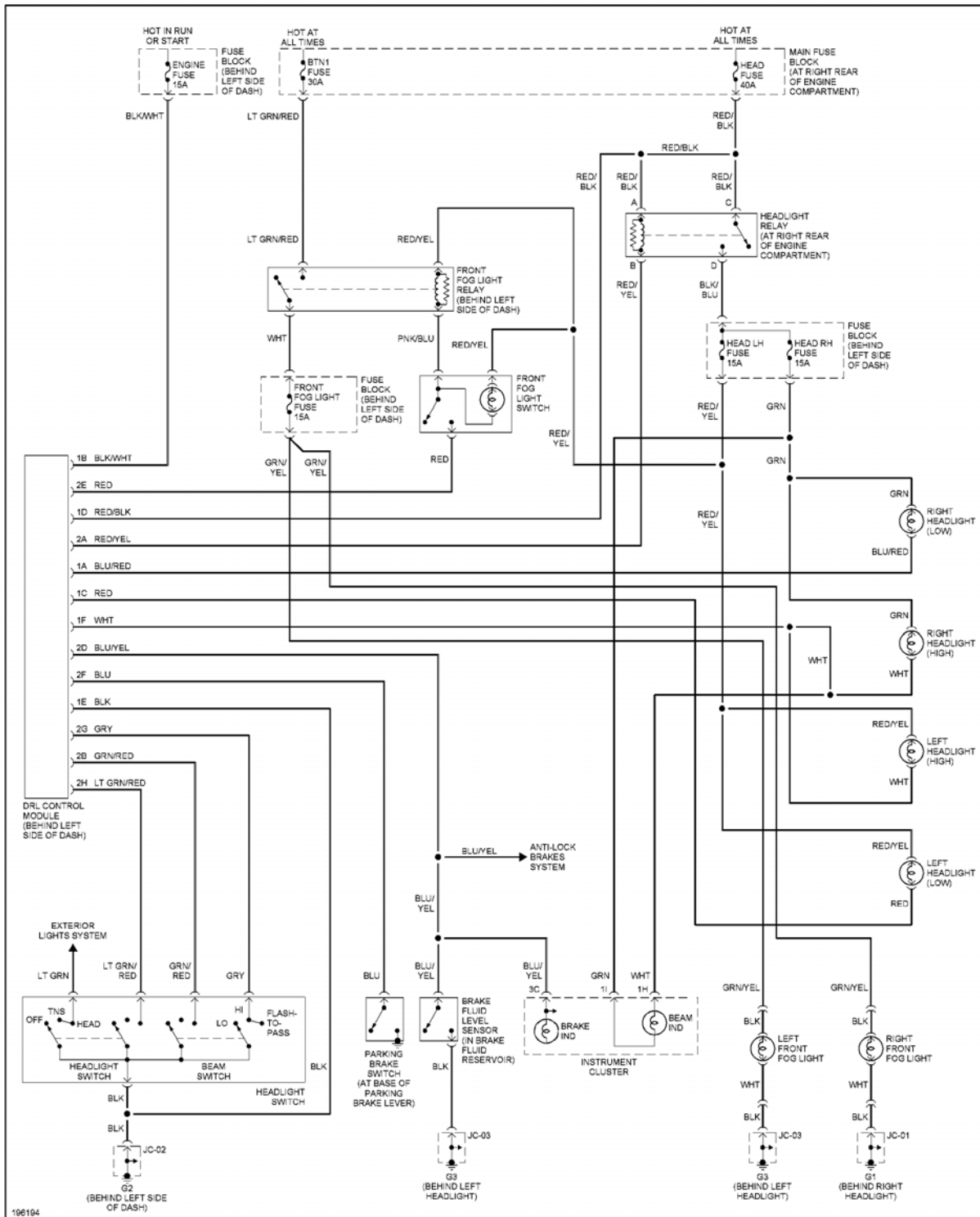


Fig. 16: Headlights Circuit, W/ DRL

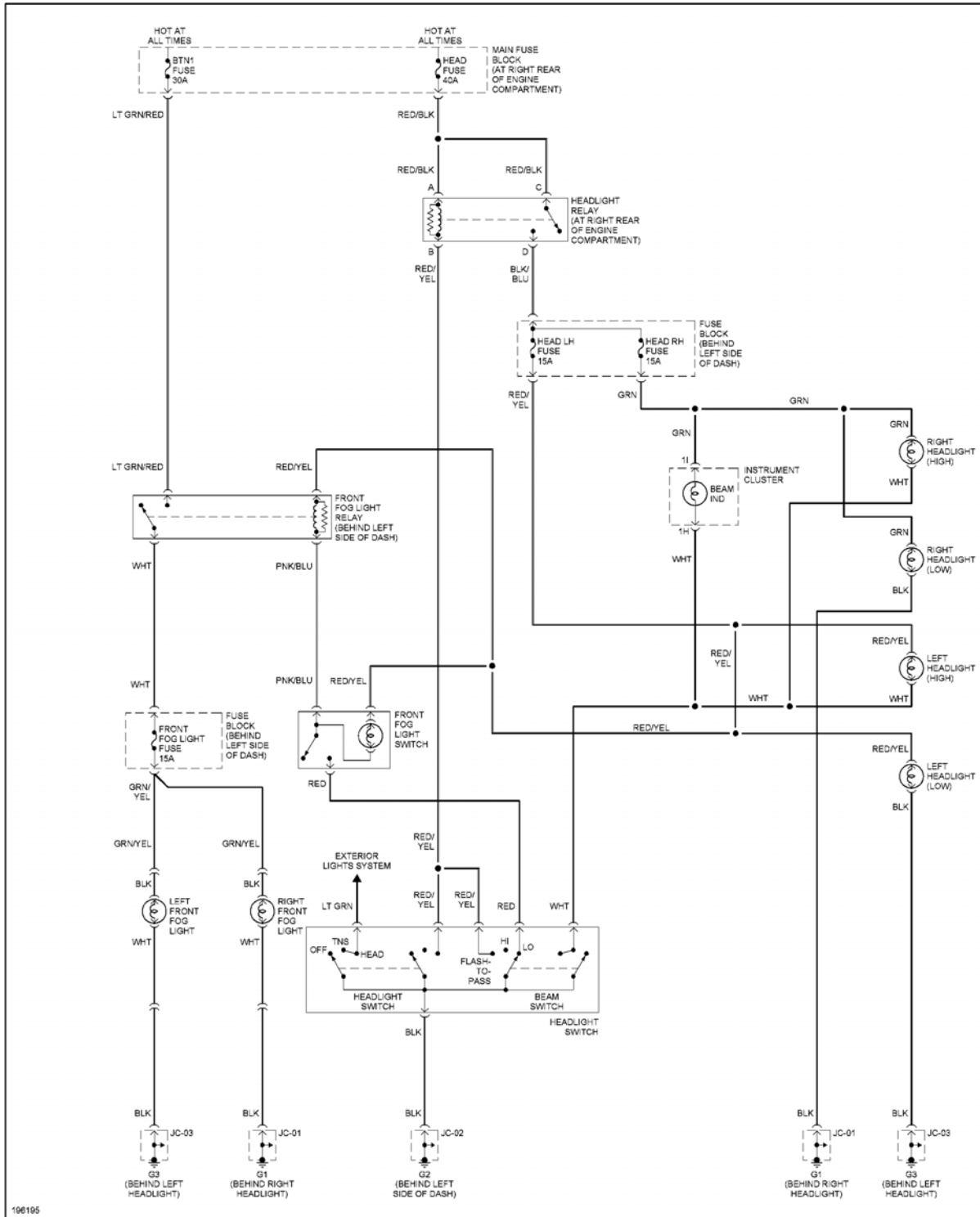
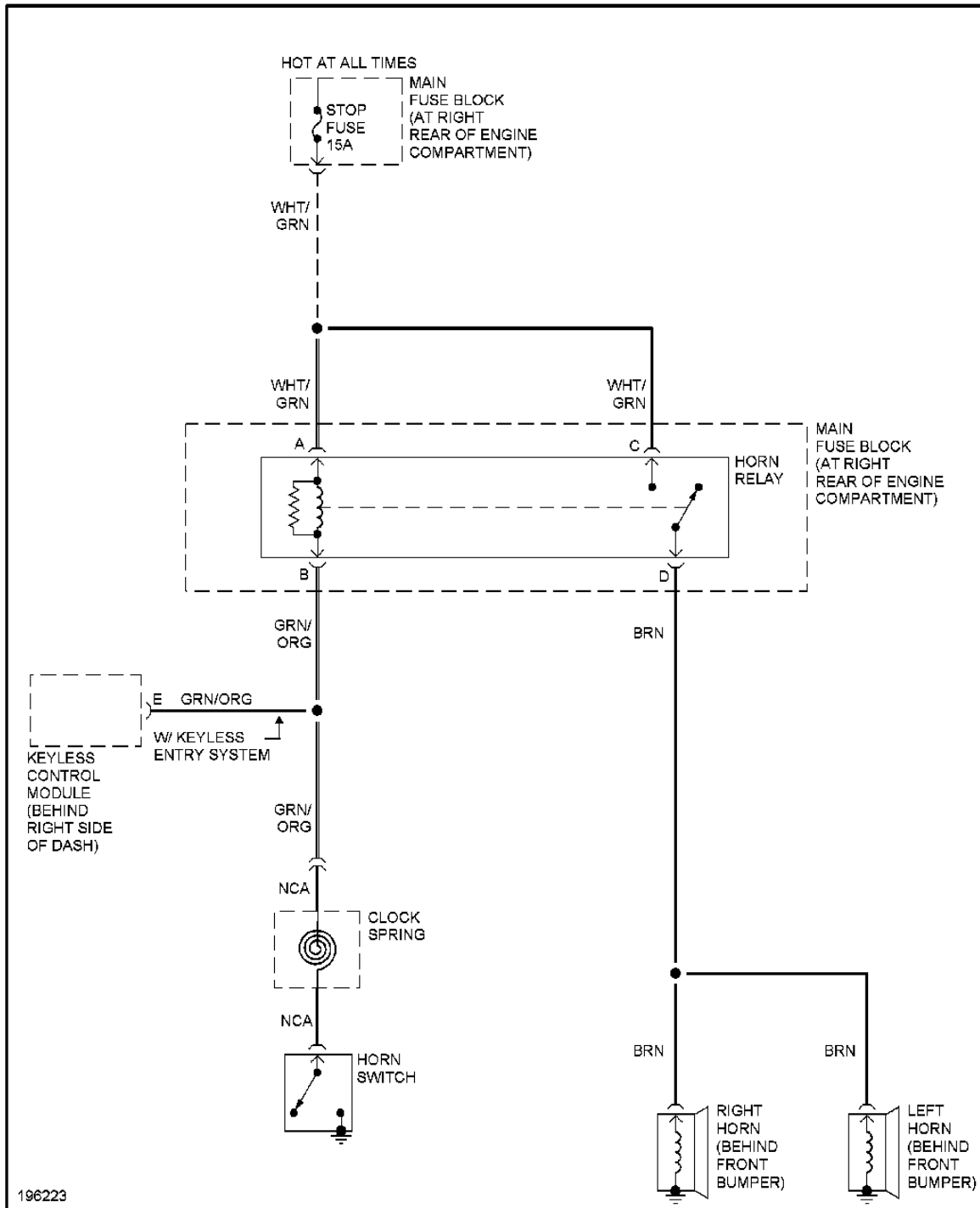


Fig. 17: Headlights Circuit, W/O DRL

HORN



196223

Fig. 18: Horn Circuit

INSTRUMENT CLUSTER

<http://mazda-speed.com>

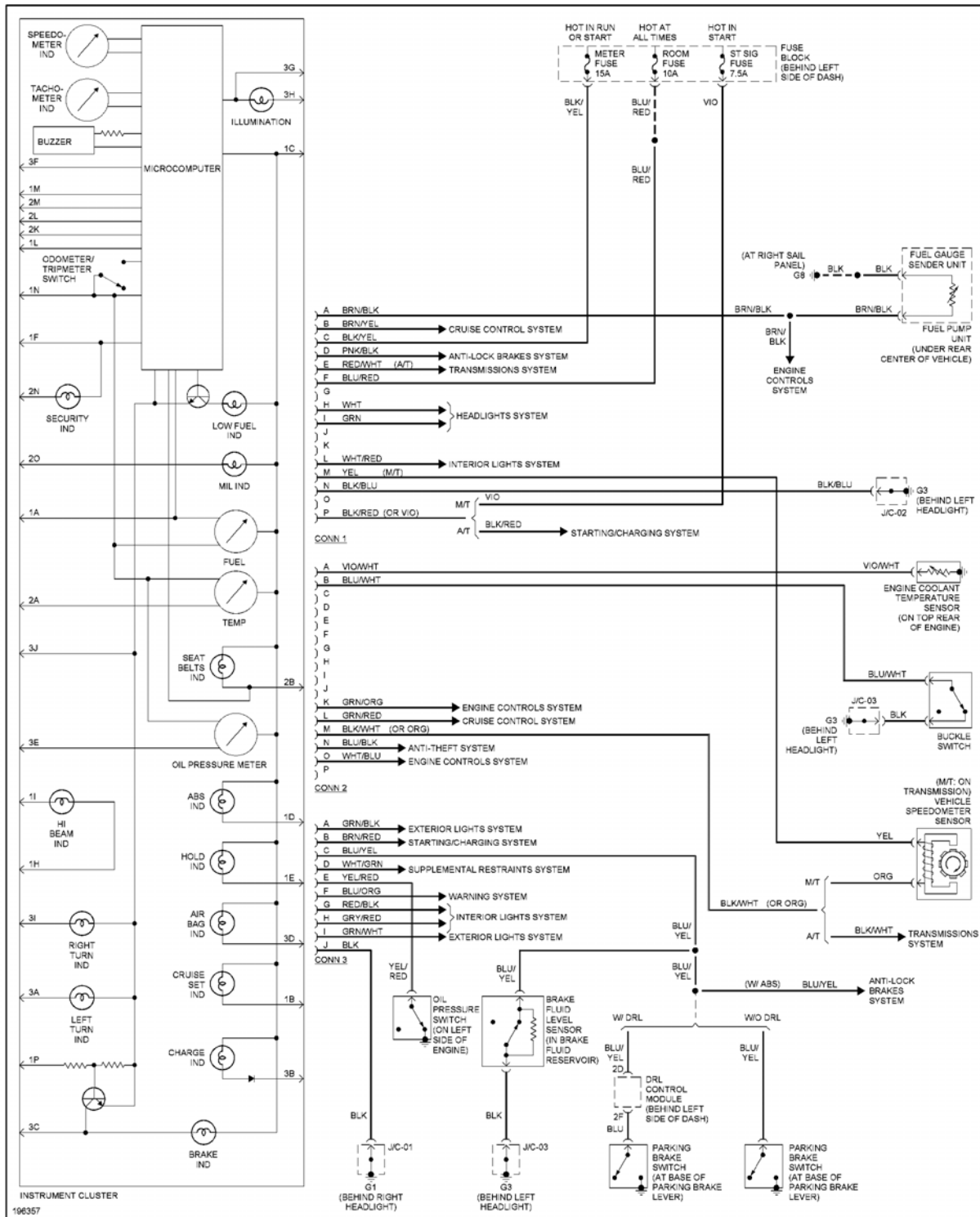


Fig. 19: Instrument Cluster Circuit

INTERIOR LIGHTS

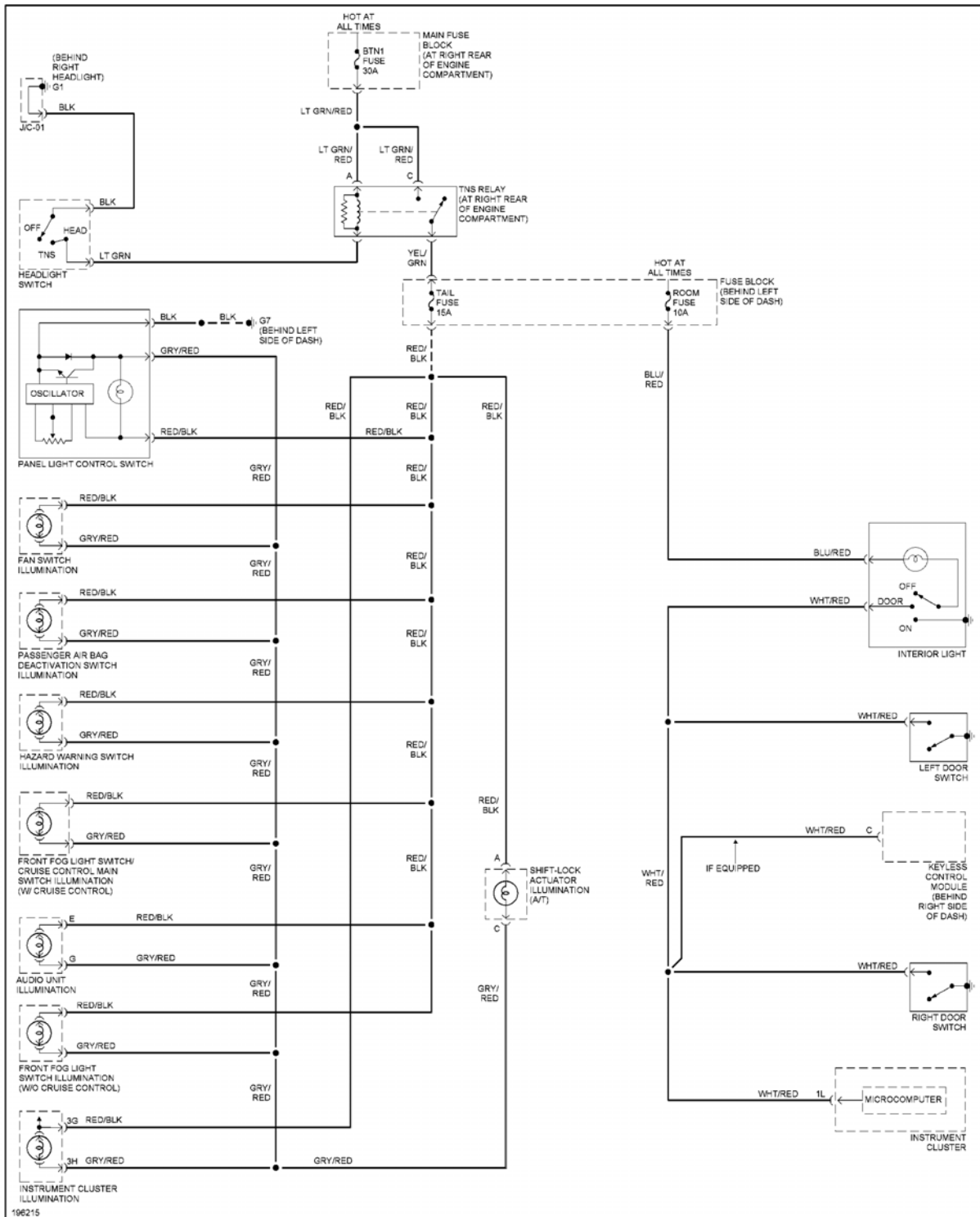


Fig. 20: Interior Lights Circuit

POWER ANTENNA

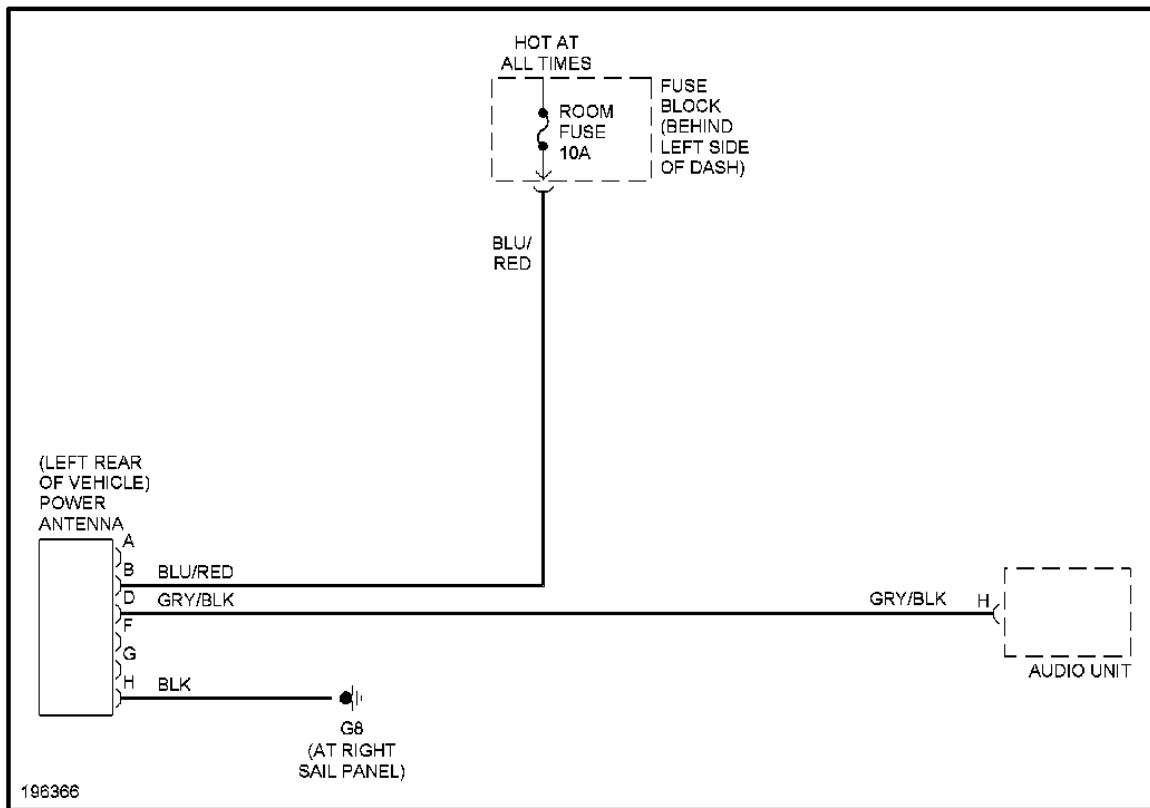


Fig. 21: Power Antenna Circuit

POWER DISTRIBUTION



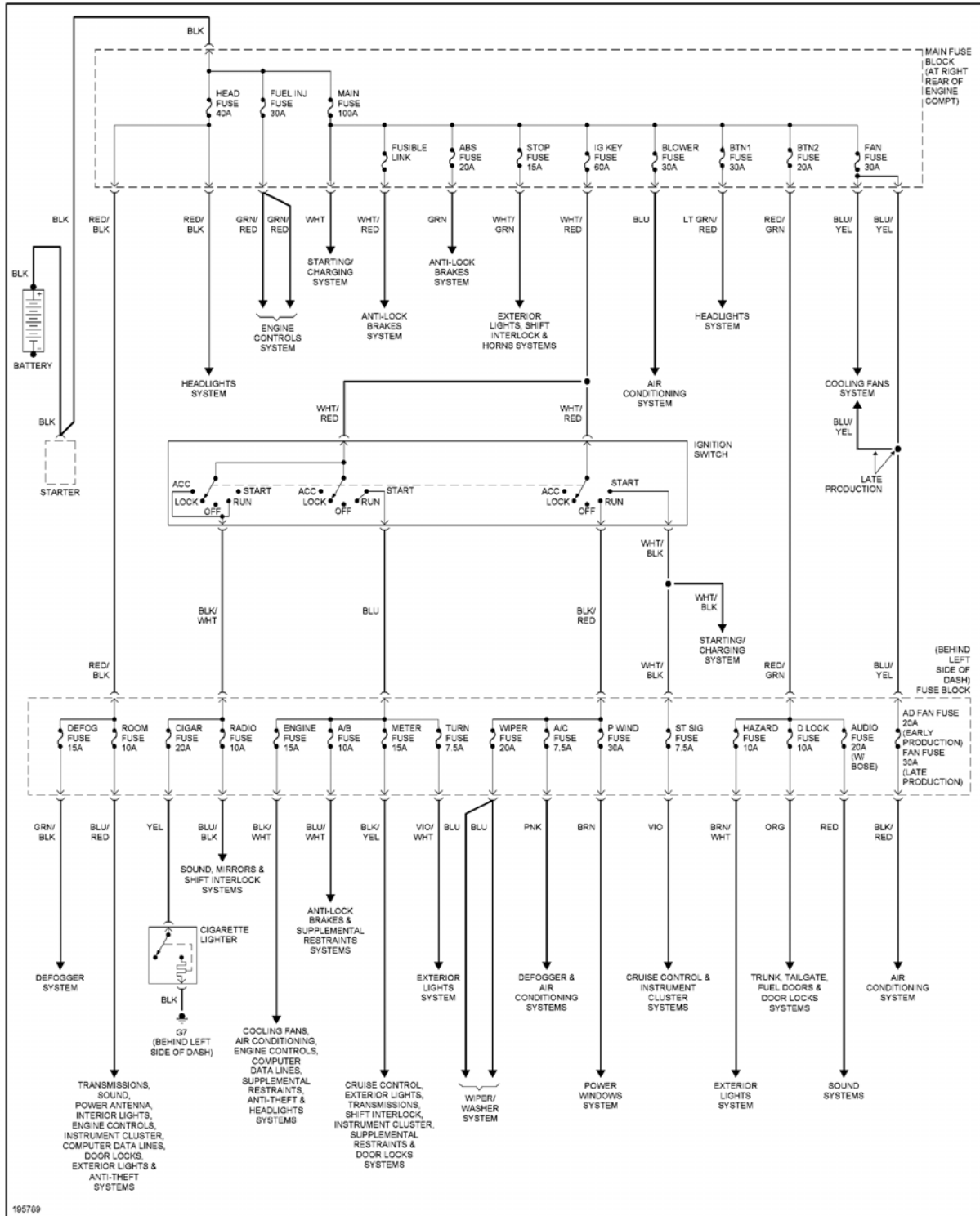


Fig. 22: Power Distribution Circuit

POWER DOOR LOCKS

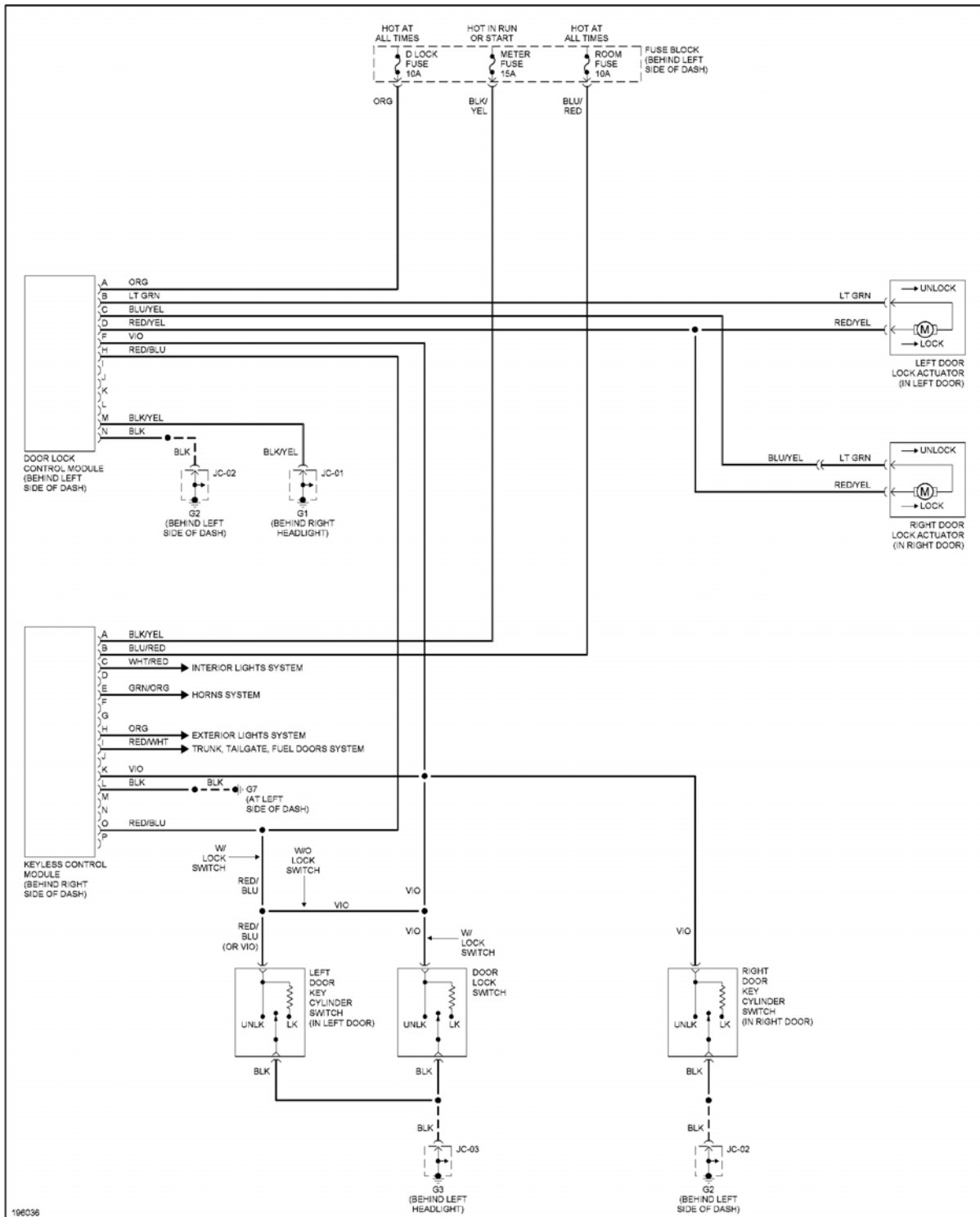


Fig. 23: Power Door Locks Circuit

POWER MIRRORS

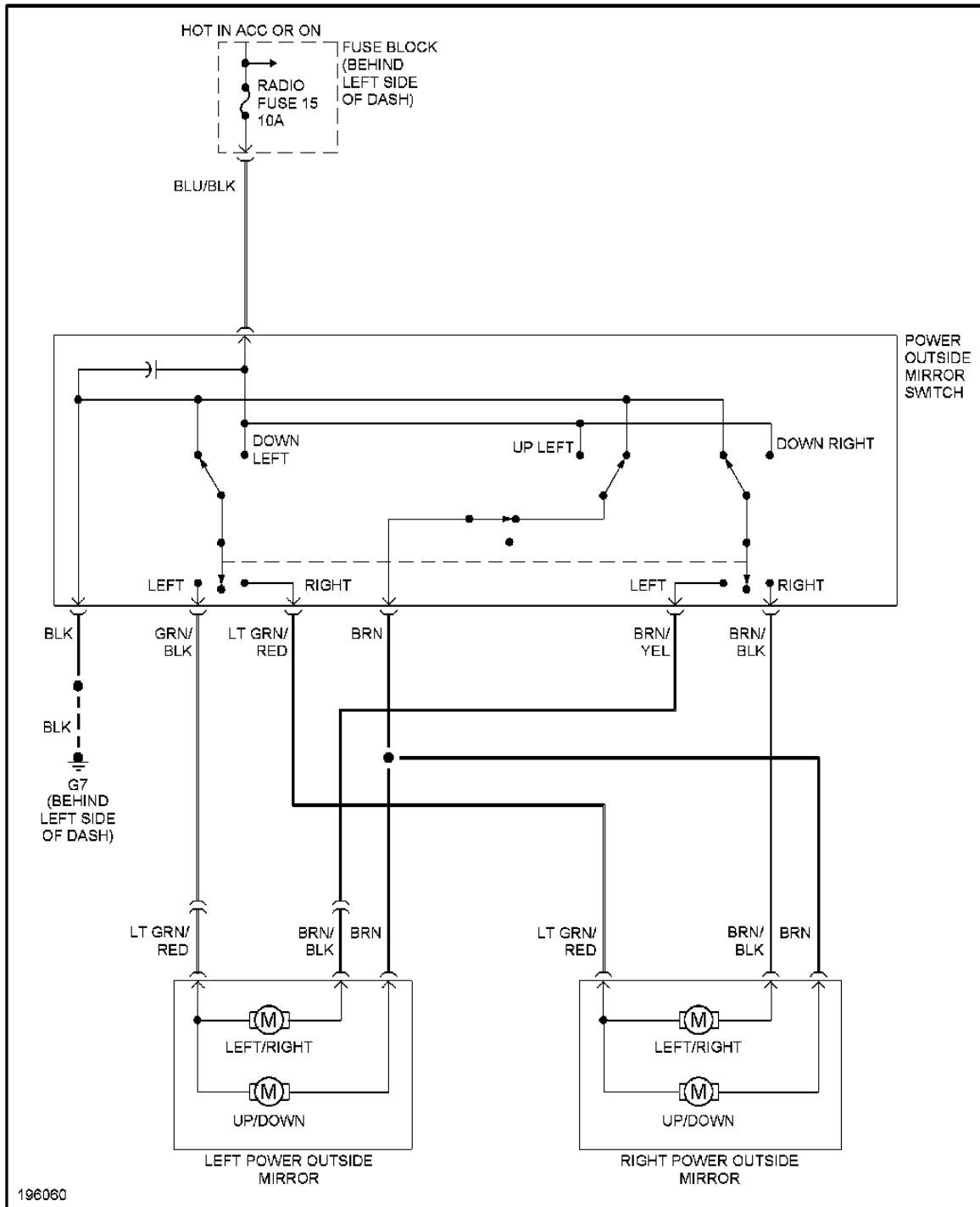


Fig. 24: Power Mirrors Circuit

POWER WINDOWS

<http://mazda-speed.com>

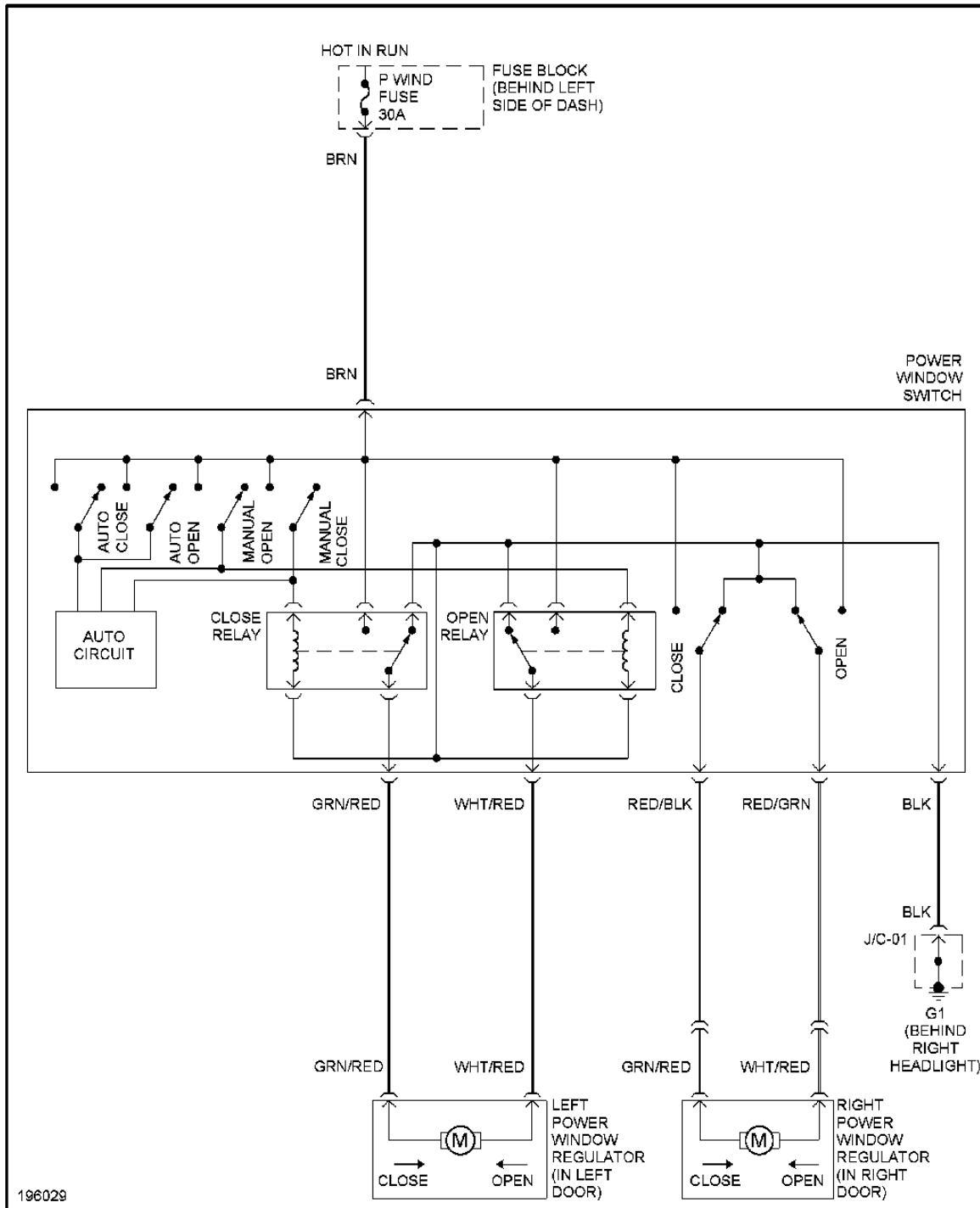
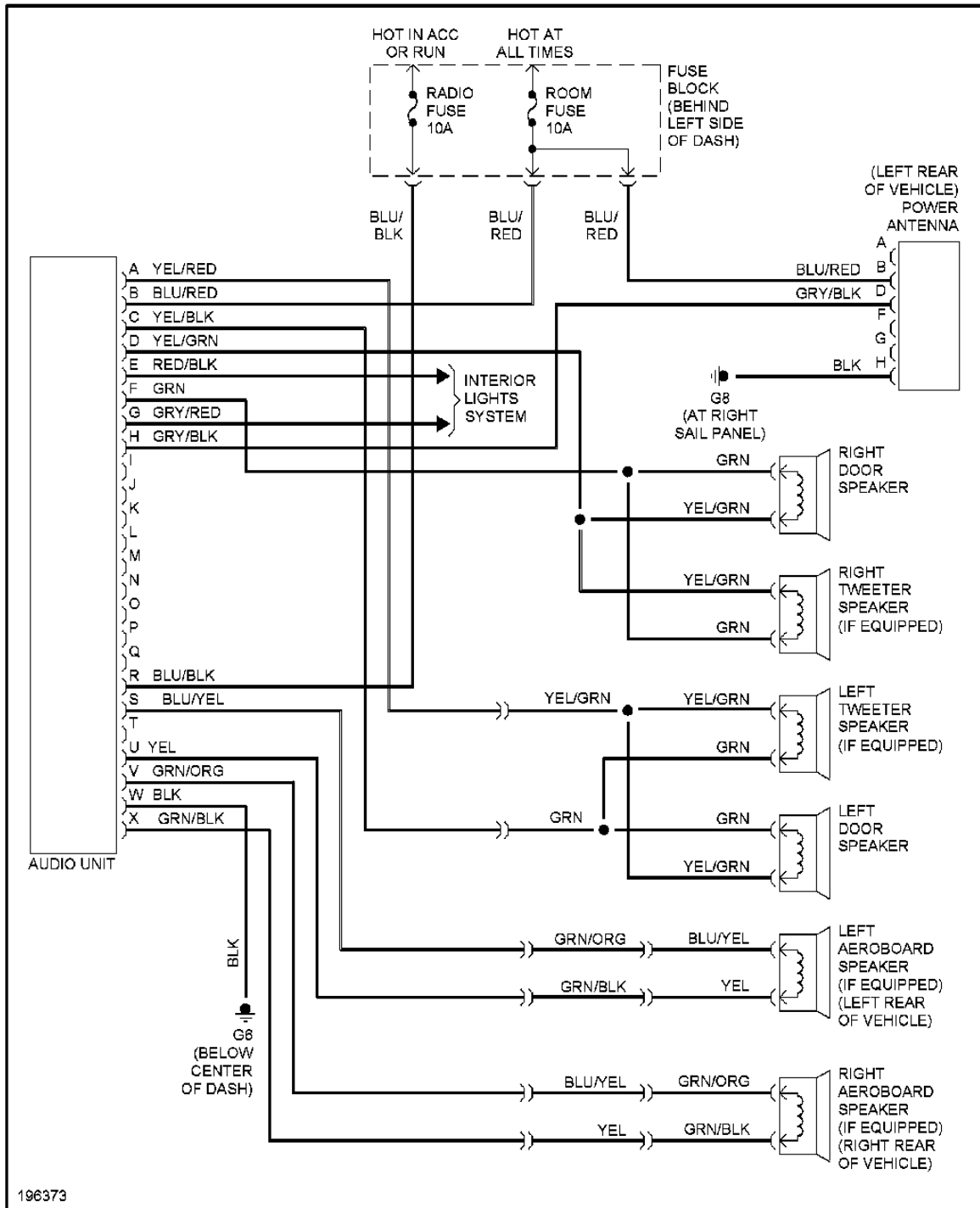


Fig. 25: Power Windows Circuit

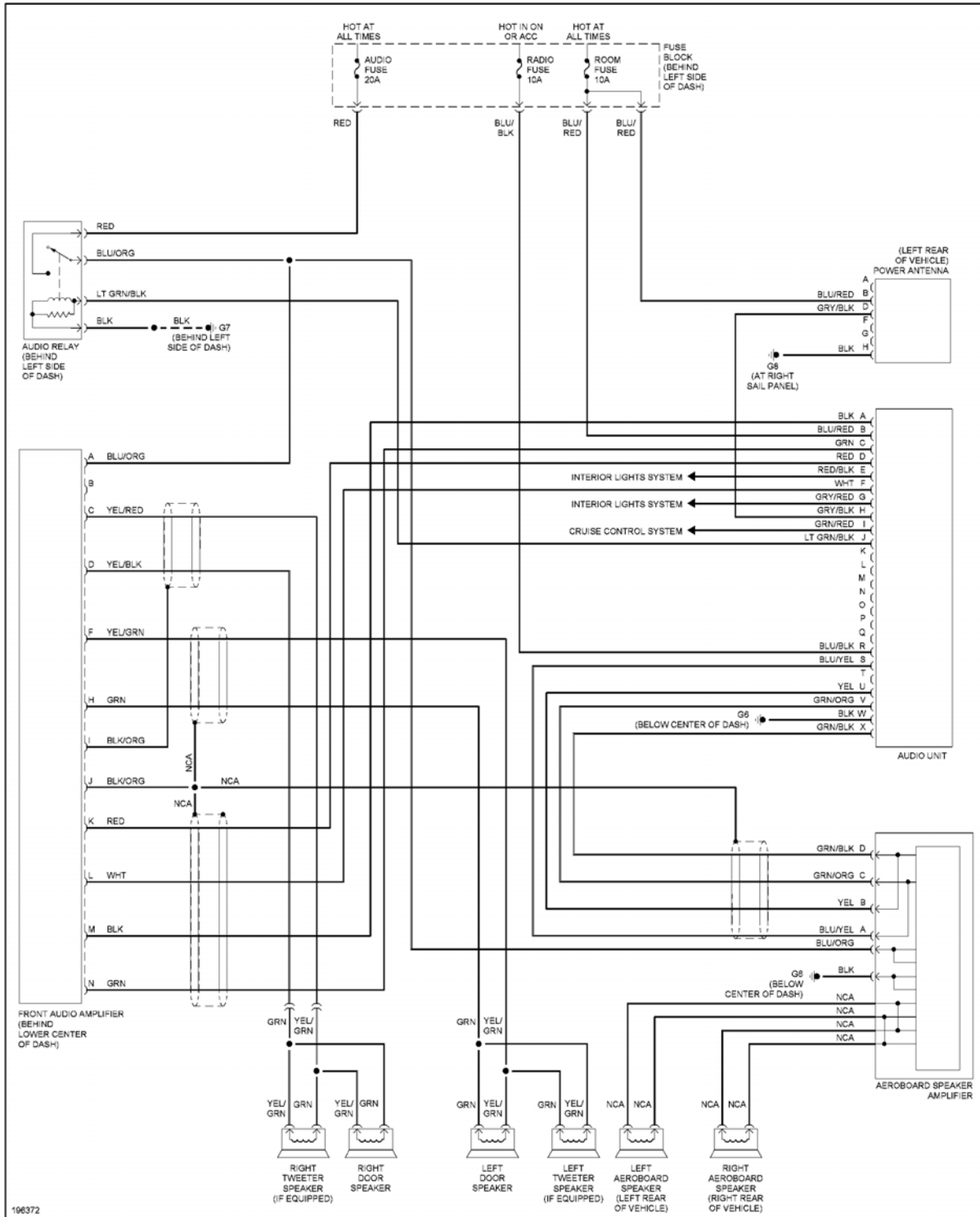
RADIO

<http://mazda-speed.com>



196373

Fig. 26: Radio Circuit, Base



106372

Fig. 27: Radio Circuit, Bose

SHIFT INTERLOCK

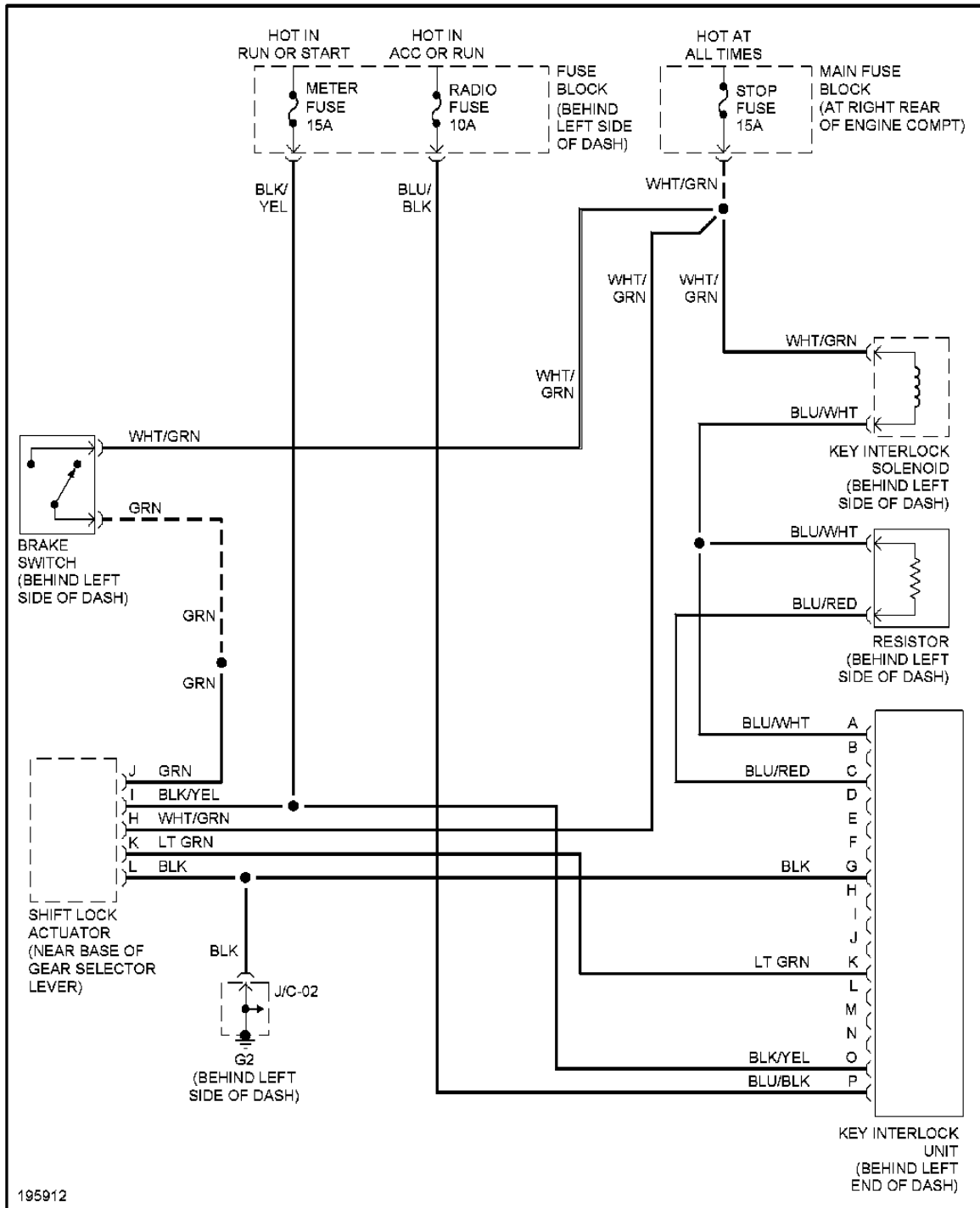


Fig. 28: Shift Interlock Circuit
STARTING/CHARGING

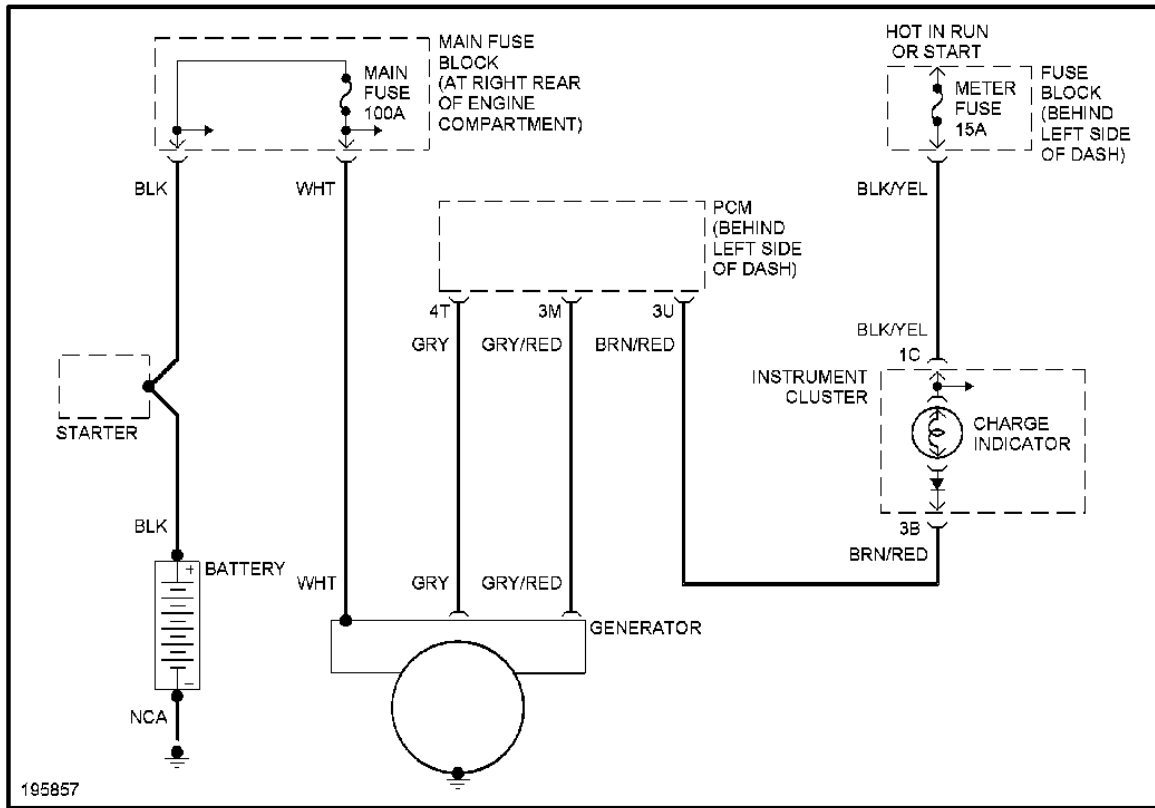


Fig. 29: Charging Circuit

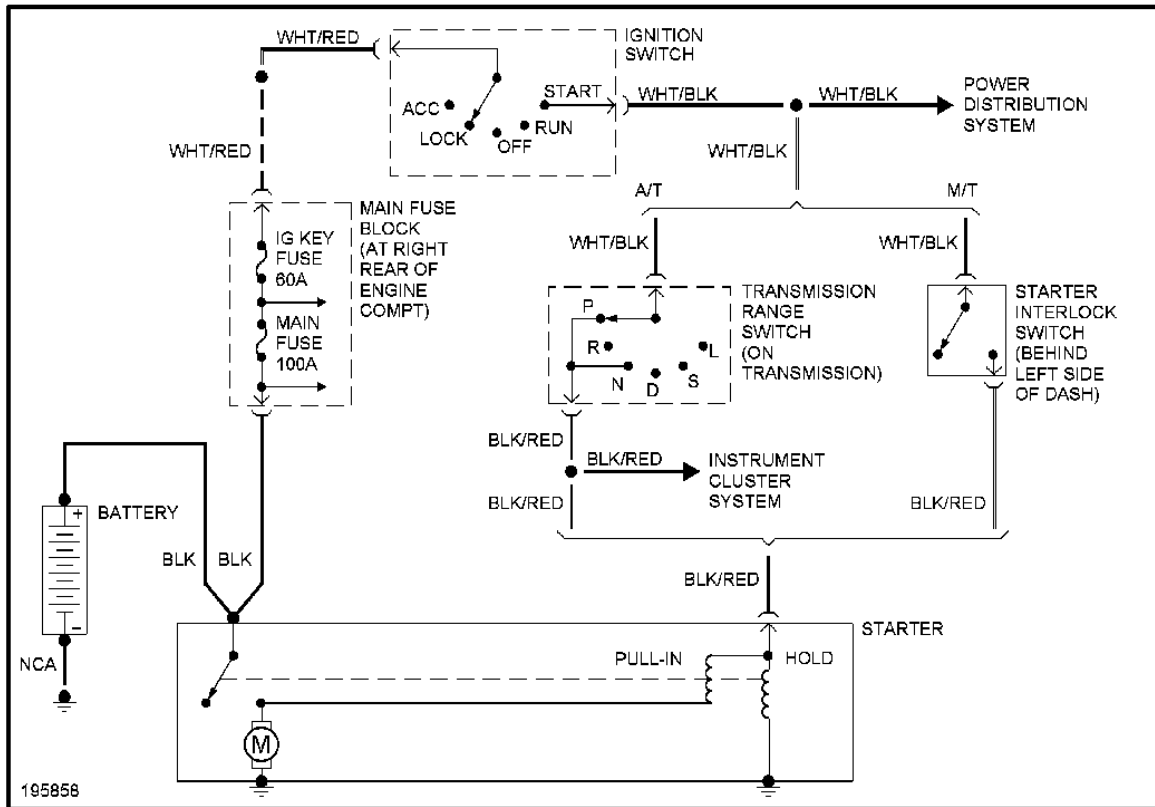


Fig. 30: Starting Circuit

SUPPLEMENTAL RESTRAINTS



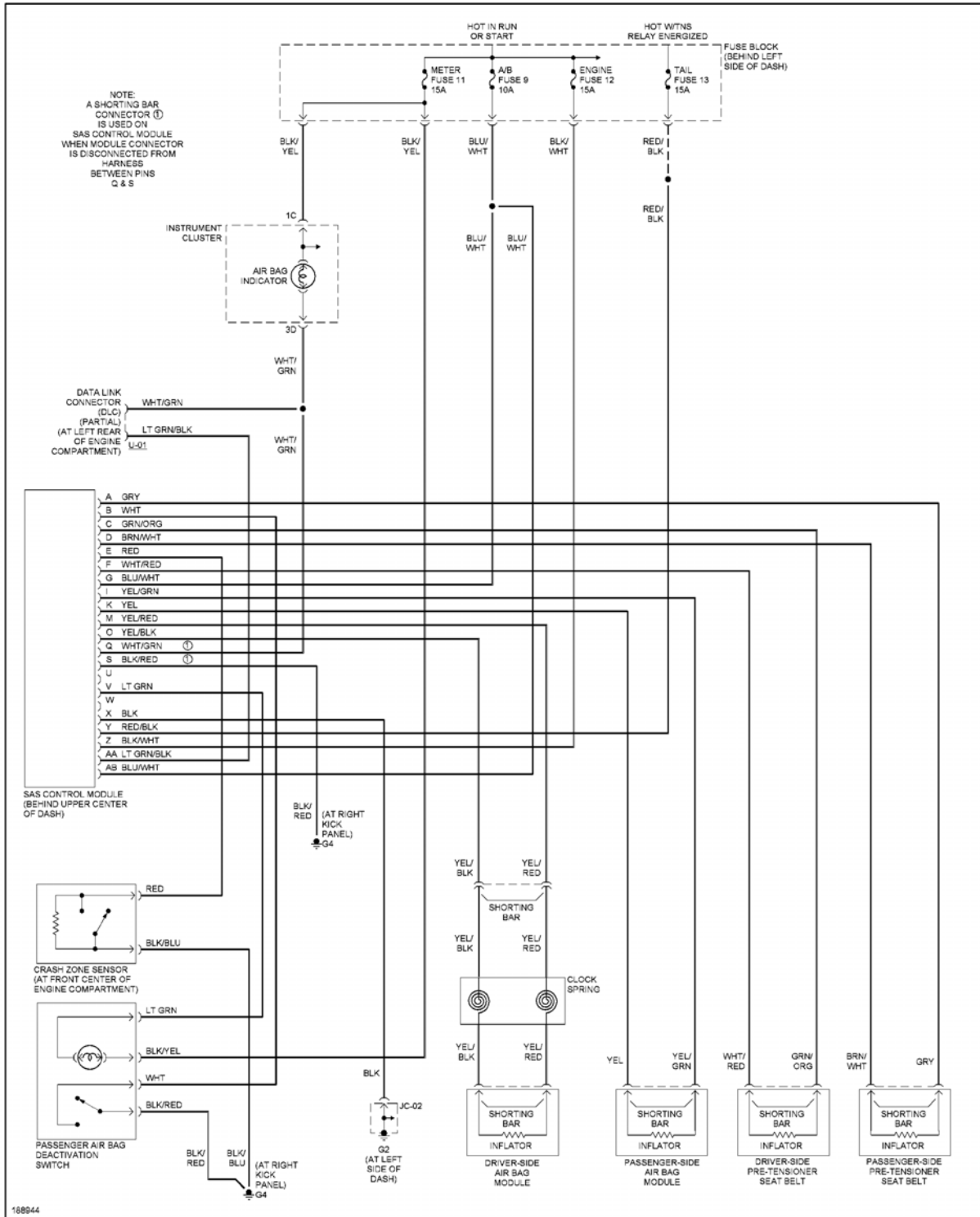
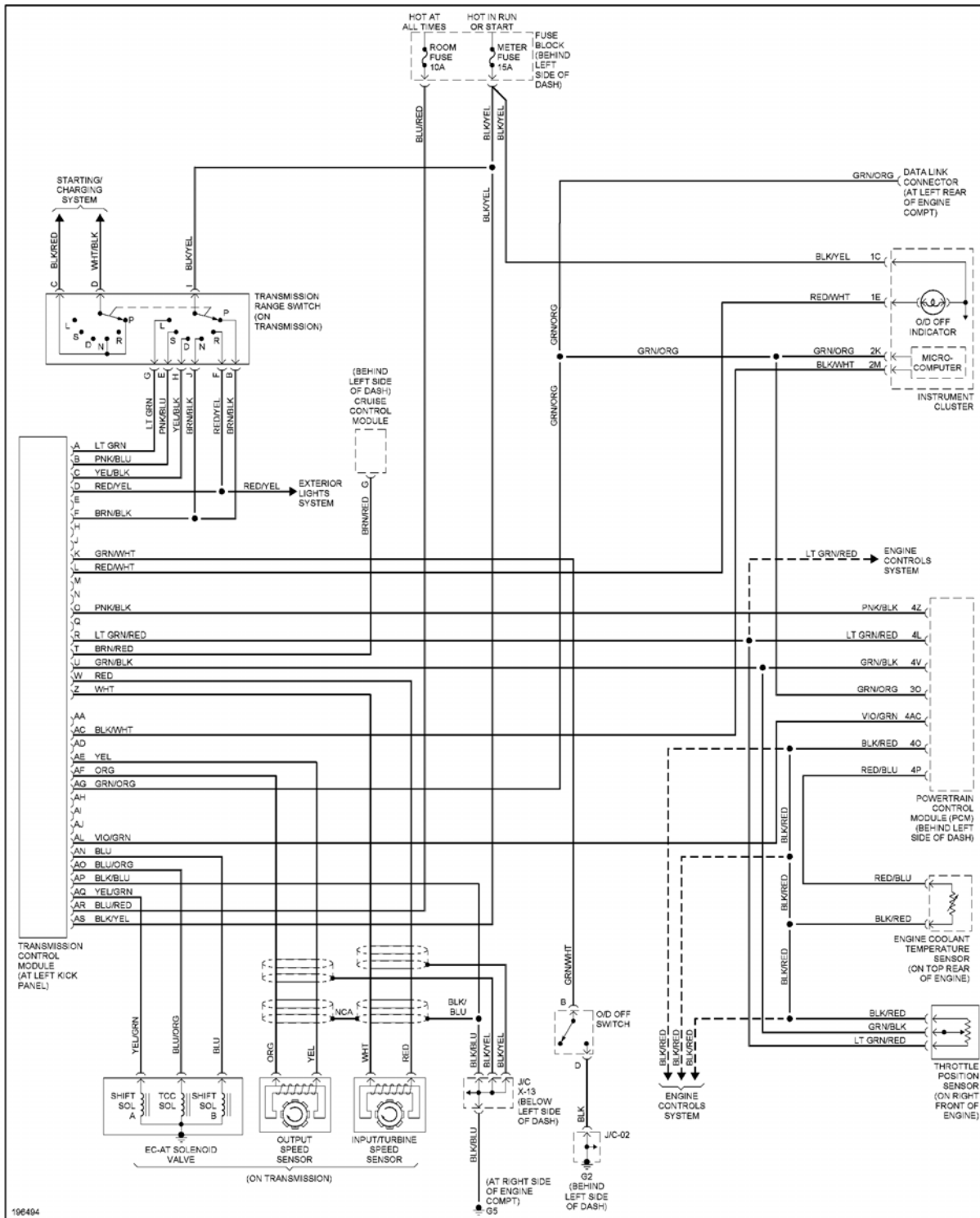


Fig. 31: Supplemental Restraints Circuit

TRANSMISSION



196404

Fig. 32: A/T Circuit

TRUNK, TAILGATE, FUEL DOOR

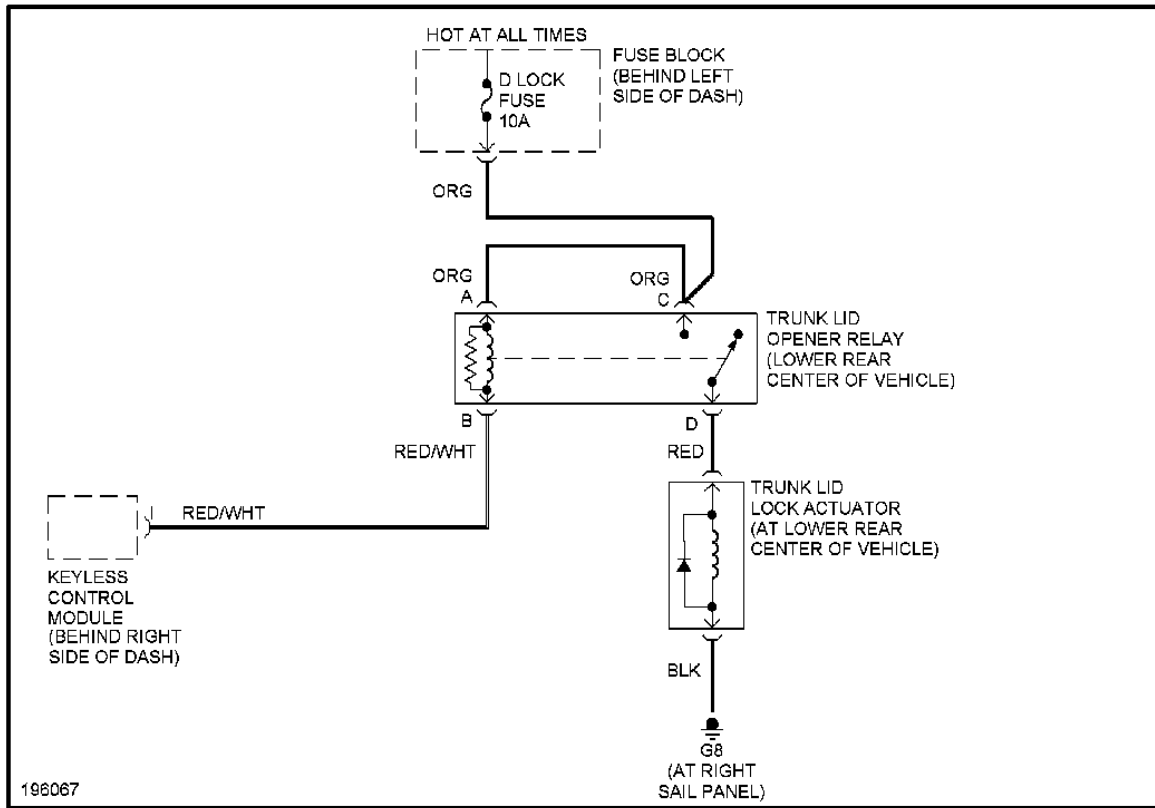
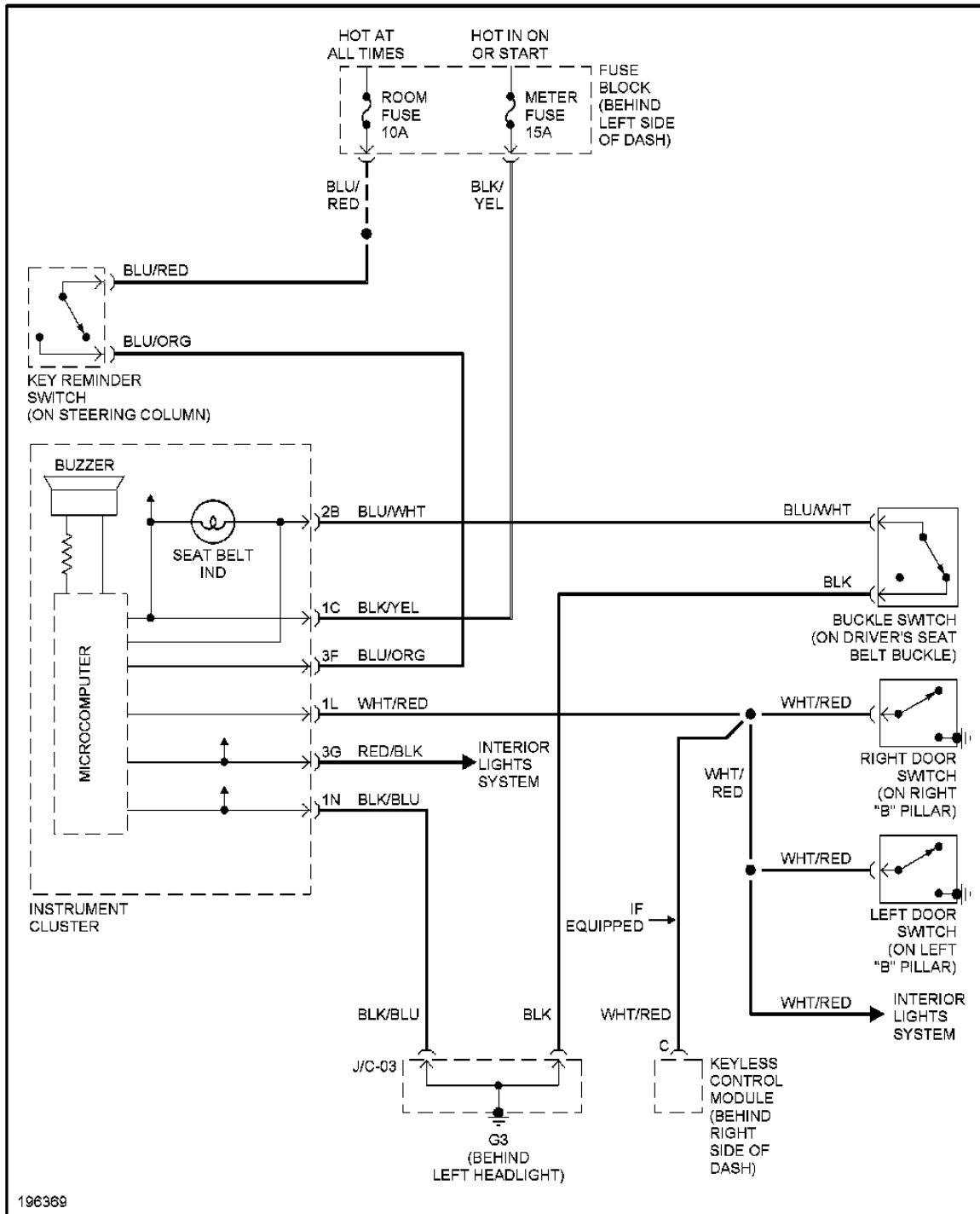


Fig. 33: Trunk Release Circuit

WARNING SYSTEMS

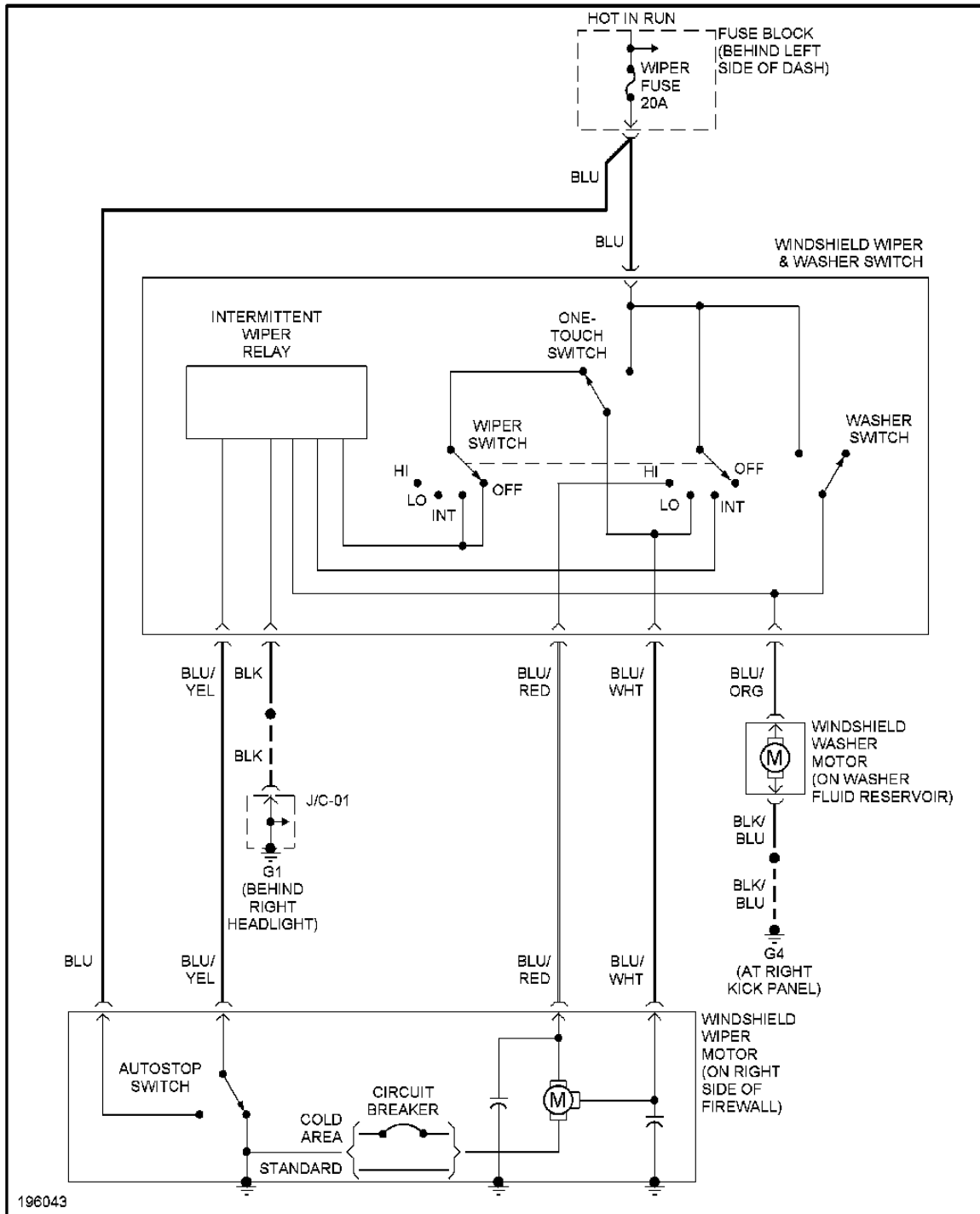




196369

Fig. 34: Warning Systems Circuit

WIPER/WASHER



196043

Fig. 35: Wiper/Washer Circuit

© 2004 Mitchell Repair Information Co., LLC.

MAZDA SPEED.COM

<http://mazda-speed.com>

06/03/2005

MAZDA SPEED.COM

<http://mazda-speed.com>

MAZDA SPEED.COM