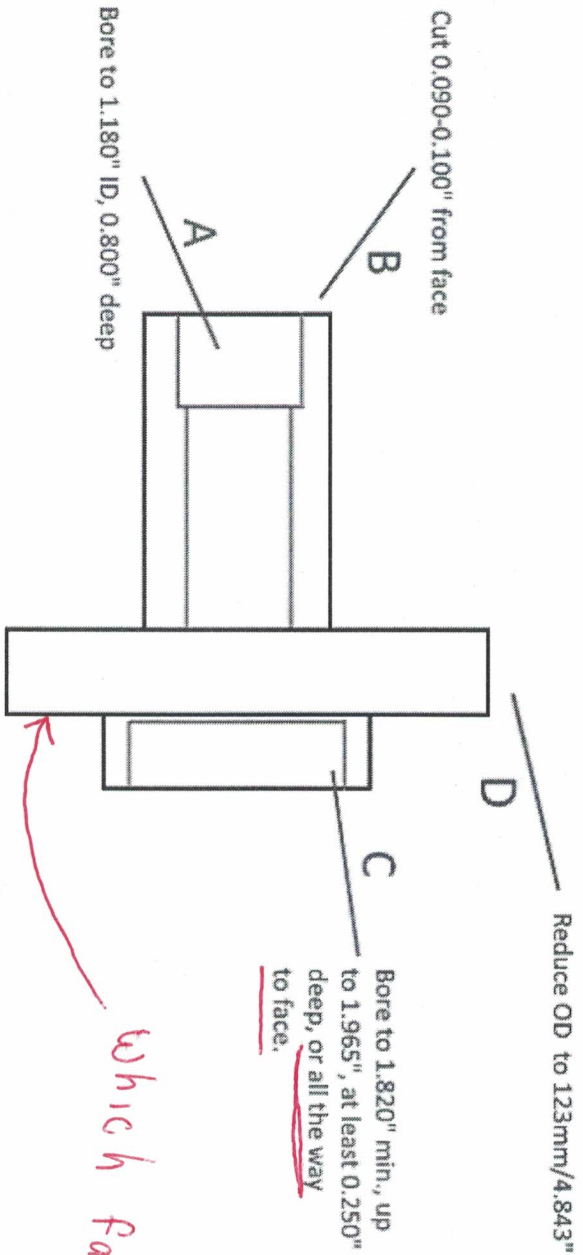
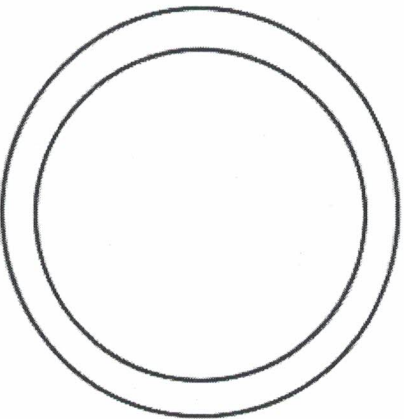


00-05 MR2-S rear hub mods to fit 90-05

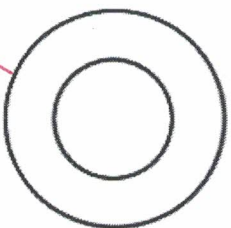
Mazda Miata



1 washer/shim needed per hub to space hub from bearing race in spindle for proper rotor alignment with calliper and pads.
 ID-45mm (cannot be 40mm, ID needs to be large enough to clear hub chamfer, ~43.5mm)
 OD-55mm
 Height-1mm
 McMaster part no: 98089A420



1 washer needed per hub to space axle nut out.
 ID- 1.062-1.070"
 OD- adjust to match bore C, or no more than 1.600" if not cut all the way to axle nut face
 Height- 0.375" +/- 0.005"



Dont be an asshole, chamfer all cut edges

when torquing axle nut, how many threads should there be exposed when tightened?

SAME DIAMETER AS AXLE NUT FLANGE?