

Service Bulletin

Mazda Motor of America, Inc.
7755 Irvine Center Drive
Irvine, California 92718
Telephone (714) 727-1990



Category S	Applicable Model/s 1994-97 MX-5 Miata	Subject THUMPING OR POPPING NOISE FROM FUEL TANK AREA	Bulletin No. 017/97 Issued 07/16/97 Revised
---------------	---	---	---

APPLICABLE MODEL

1994-97 MX-5 Miata with a VIN number of JM1NA353*V0723192 or lower.

DESCRIPTION

An intermittent thumping or popping noise may be heard from the rear side of the vehicle when:

- Making a turn.
- Driving on a rough road.
- Stopping the vehicle after driving for a while.

NOTE: Due to the intermittent nature of the noise, problem verification may be difficult.

The noise is caused by a slight torsion of the fuel tank and a change in temperature. A pad has been added to the fuel tank upper pan to reduce noise. Customers complaining of this noise should have the vehicle inspected and if necessary have a pad installed according to the procedure below.

REPAIR PROCEDURE

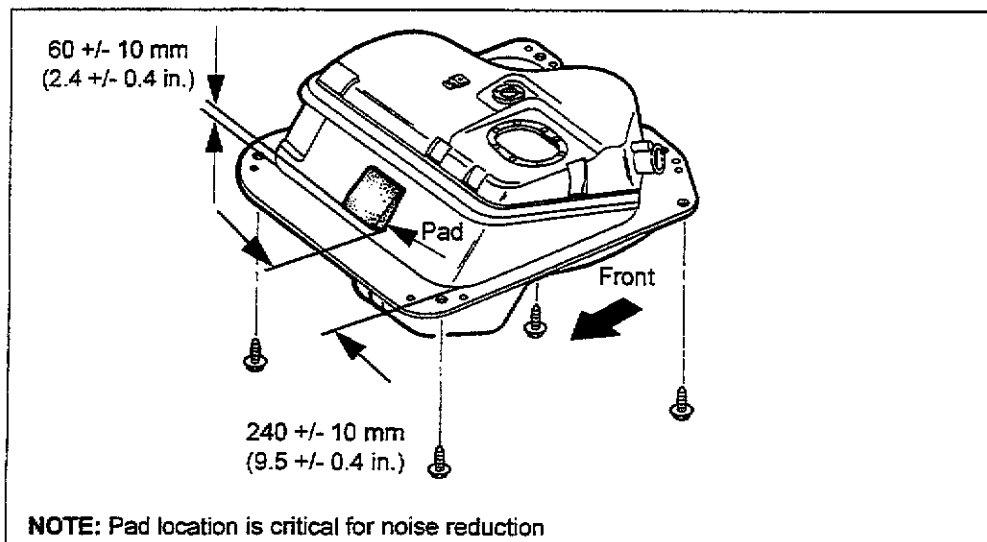
1. Allow time for the exhaust system to cool.
2. Loosen the four bolts holding the fuel tank in place.

NOTE: It is not necessary to remove the four bolts

3. Clean the pad installation area (above driveshaft).

CAUTION: This area may still be hot. Use caution when cleaning and installing pad.

4. Add pad to the position indicated in the illustration below.
5. Re-tighten the fuel tank installation bolts to the correct torque, 21-30 Nm (2.1-3.1 kgf.m, 16-22 ft.lbs.)



CONSUMER NOTICE: The information and instructions in this bulletin are intended for use by skilled technicians. Mazda technicians utilize the proper tools / equipment and take training to correctly and safely maintain Mazda vehicles. These instructions should not be performed by "do-it-yourselfers." Customers should not assume this bulletin applies to their vehicle or that their vehicle will develop the described concern. To determine if the information applies, customers should contact their nearest authorized Mazda dealership.

Number: 017/97	Date Issued: 07/16/97	Revised:
----------------	-----------------------	----------

PARTS INFORMATION

Part Number	Description	Qty.
NA75-42-76X	Pad	1

WARRANTY INFORMATION

(Applies To Verified Customer Complaints On Vehicles Covered Under Normal Warranty. Refer To The SRT Microfiche For Warranty Term Information.)

Warranty Type: A
Symptom Code: 82
Damage Code: 9B
Part Number Main Cause: NA75-42-76X
Quantity: 1
Operation Number: XX928XRX
Labor Hrs: 0.3 Hrs.