

REAR SUSPENSION

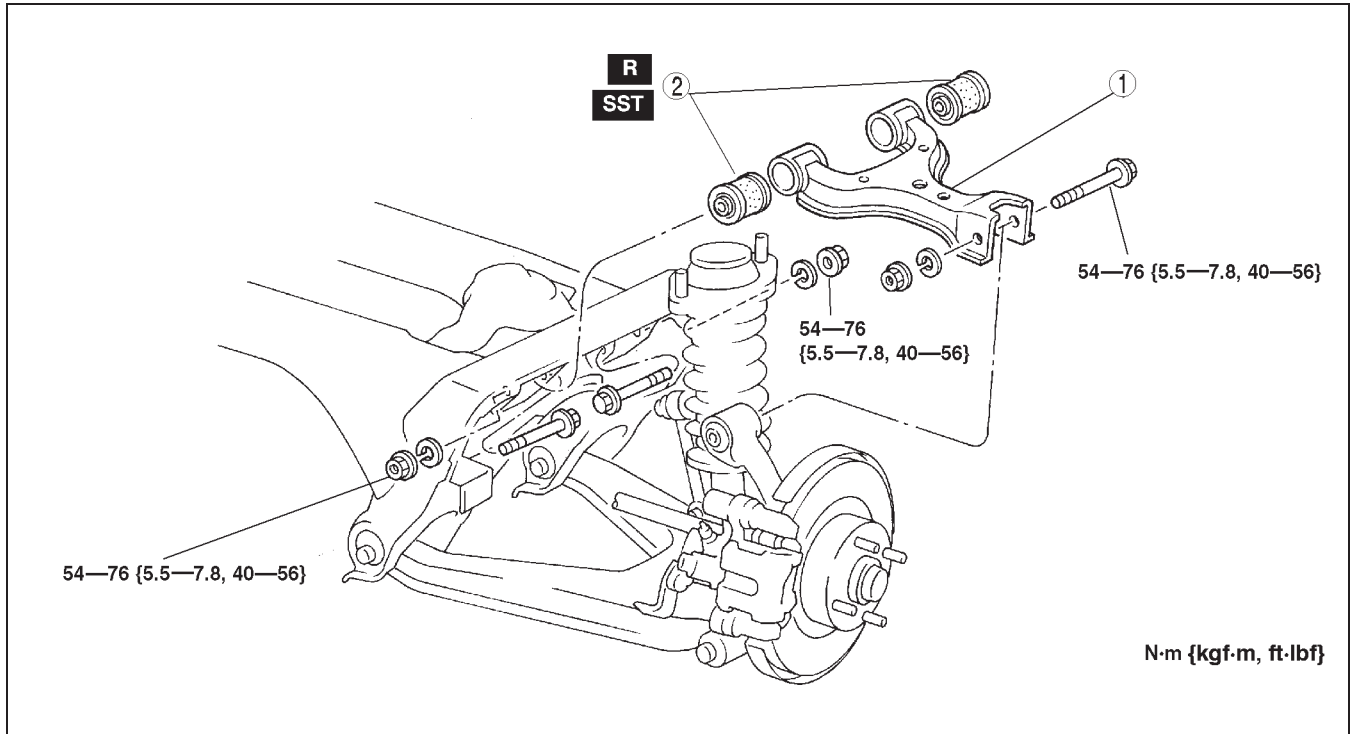
REAR UPPER ARM REMOVAL/INSTALLATION

A5U021428210W01

Caution

- Performing the following procedures without first removing the ABS wheel-speed sensor may possibly cause an open circuit in the harness if it is pulled by mistake. Before performing the following procedures, remove the ABS wheel-speed sensor (axle side) and fix it to an appropriate place where the sensor will not be pulled by mistake while servicing the vehicle.

- Remove in the order indicated in the table.
- Install in the reverse order of removal.
- Inspect the rear wheel alignment.
 - If not as specified, adjust the front wheel alignment. (See 02-11-1 FRONT WHEEL ALIGNMENT.)



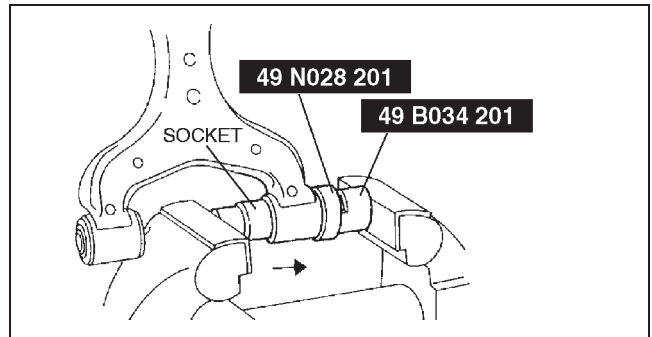
Z5U0214W102

1	Rear upper arm
---	----------------

2	Upper arm bushing (See 02-14-6 Upper Arm Bushing Removal Note) (See 02-14-7 Upper Arm Bushing Installation Note)
---	--

Upper Arm Bushing Removal Note

- Press the upper arm bushing out using the SSTs and a socket as shown.



Z5U0214W134